



# NBA Superstars™

## Setup and Operation Service Manual

Revision NBA-1.5-6.21.24



© 2024 NBA Properties, Inc. All rights reserved.

© 2024 The National Basketball Players Association. All rights reserved.

This software is based in part on the work of the Independent JPEG Group.

This product includes software developed by the OpenSSL Project for use in the OpenSSL Toolkit. (<http://www.openssl.org/>)

This product includes cryptographic software written by Eric Young ([ey@cryptsoft.com](mailto:ey@cryptsoft.com))

This product includes audio software developed by FMOD Studio. (<https://www.fmod.com/>)

## NBA Superstars™ Service Manual

### Table of Contents

Safety.....	3
Product Specifications.....	5
Fuse Replacement Guide.....	5
Setup.....	6
Game Software Setup.....	13
Online Registration.....	13
PC USB Connection Guide.....	14
Maintenance.....	15
Troubleshooting.....	16
Online Troubleshooting.....	18
Parts.....	19
Contact Information.....	29
System Diagrams.....	29



## NBA Superstars™ Service Manual

# Safety

---

### OPERATION

Before operating game, read this manual. Failure to properly install and operate this game could result in malfunction or accident. Operate the game in accordance with the manual.

### TRANSPORTING

Cabinet is very heavy and contains fragile components. Use appropriate care when moving or transporting cabinet. Avoid rough handling.

### HANDLING COMPONENTS

Many components are extremely sensitive to handling, environmental and Electrostatic Discharge (ESD) events—especially the computer. Do not handle it roughly. Before servicing, call your distributor and inquire about the PC warranty. Use proper ESD procedures when servicing. Protect components from harmful environmental conditions, such as extreme temperatures, excessive moisture or other damaging effects.

### DISCONNECT POWER

Always turn off power and unplug the units before servicing or making adjustments, unless otherwise instructed. Installing or repairing components while power is on can damage the components and void the warranty.

### GROUNDING

Avoid electrical shock. Do not plug in AC power until you have inspected and properly grounded the unit. Only plug into a grounded, three-wire outlet. Do not use a “cheater” plug or cut off the ground pin on the line cord.

### ELECTRICAL SHOCKS

There is no isolation transformer in the cabinet. Disconnect AC power before servicing. However, be aware that lethal voltages can remain in the electronic components even when AC power is disconnected. Use extreme caution when servicing. Verify that there is a working ground connection. If the unit sustains water damage, cease using it immediately and unplug AC power.

### MONITOR

The monitor contains no user serviceable parts. Do not attempt to service the monitor.

### POWER CORD

If the power cord is damaged or lost, replace it with an identical cord as supplied by the manufacturer or an authorized service agent.

### SURGE SUPPRESSOR

It is recommended that you plug your game’s power cord into a surge suppressor to help protect from power surges that may damage sensitive electronic components.

### WATER AND OTHER LIQUID

Do not install game near sprinkler or other water jet sources. Do not use water jet to clean game. Keep minimum clearance behind game and wall for proper ventilation but also prevent access of liquid from spills and sprays from entering ventilation holes.

## NBA Superstars™ Service Manual

### CONNECTORS

Ensure all connectors mate properly. If connectors do not slip in easily, do not force them. Connectors are often keyed and only connect one way. Check for correct orientation.

### COMPUTER

The computer contains sensitive components, including a hard drive. Do not handle it roughly. Call your distributor before servicing its internal components. Ask about warranty information as it relates to the PC.

Cycle AC power on or off with the cabinet power switch.

A dongle has been inserted into one of the USB ports. This is required for game play.

Do not remove the dongle except for troubleshooting purposes.

### TEMPERED GLASS WARNING

When handling the LCD display glass cover take special care and set the glass down softly on a flat surface free of debris. The edge of the glass is sensitive to hard impact. Shattered glass from the monitor can travel long distances and cause bodily injury. Use proper procedures when handling broken materials.

### HAZARD TO EPILEPTICS

A small portion of the population has an epileptic condition that may cause seizures. Affected persons experience seizure while watching some television pictures or playing certain video games. People who have not had seizures may still have an undetected epileptic condition. If anyone in your family has experienced epilepsy symptoms (seizures or loss of awareness), consult your physical before using video games. While children play video games, a parent should observe. Be alert to the following symptoms: dizziness, altered vision, eye or muscle twitching, involuntary movements, loss of awareness, disorientation or convulsions. If you or your child experiences these symptoms, discontinue use immediately and consult your physician.

### MANUAL

Keep this manual available and ready for use. If the game fails to function properly, turn off the machine and unplug the AC line cord. Contact your local distributor. You may not reproduce this document or any of its contents without written authorization from Raw Thrills™, Inc. or PlayMechanix™ Inc.

### SPECIFICATIONS

For reasons such as performance, this product's specifications may change without notice. Federal patent, copyright and other intellectual property laws protect the content, devices and design of the game and its equipment.

## NBA Superstars™ Service Manual

# Product Specifications

### Electrical Power

United States, Canada (ETL)

Voltage: 120VAC, 60 Hz

Operating AC Current: 5 Amps

International (CE)

Voltage: 230VAC, 50/60 Hz

Operating AC Current: 2.5 Amps

### Temperature

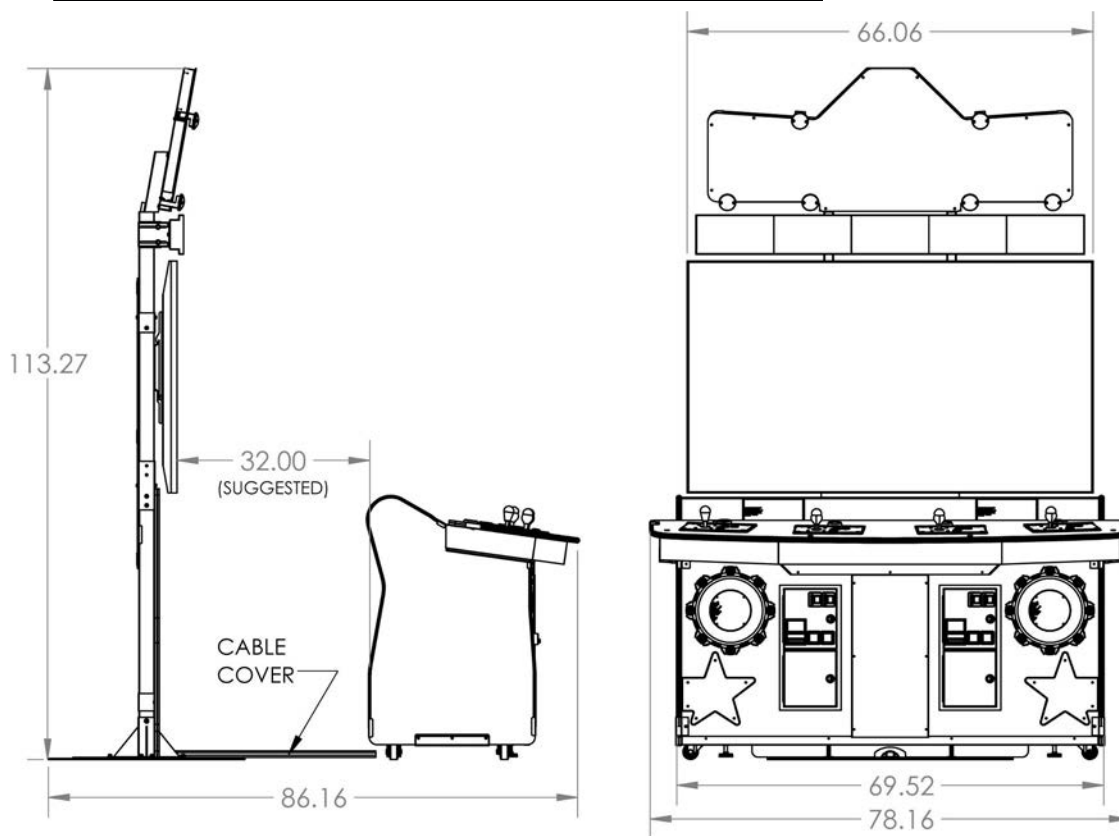
50° to 104° Fahrenheit (10° to 40° Celsius)

### Humidity

Must not exceed 95% relative humidity

### Cabinet Dimensions

Component	Height	Width	Depth
Assembled	113.27" (287.71 cm)	78.16" (198.53 cm)	86.16" (218.65 cm)



# Fuse Replacement Guide

NOTE: FOR CONTINUED PROTECTION AGAINST FIRE AND ELECTRICAL DAMAGE, USE ONLY SPECIFIED FUSE TYPE AND VALUE.

(9) 12V fuses:

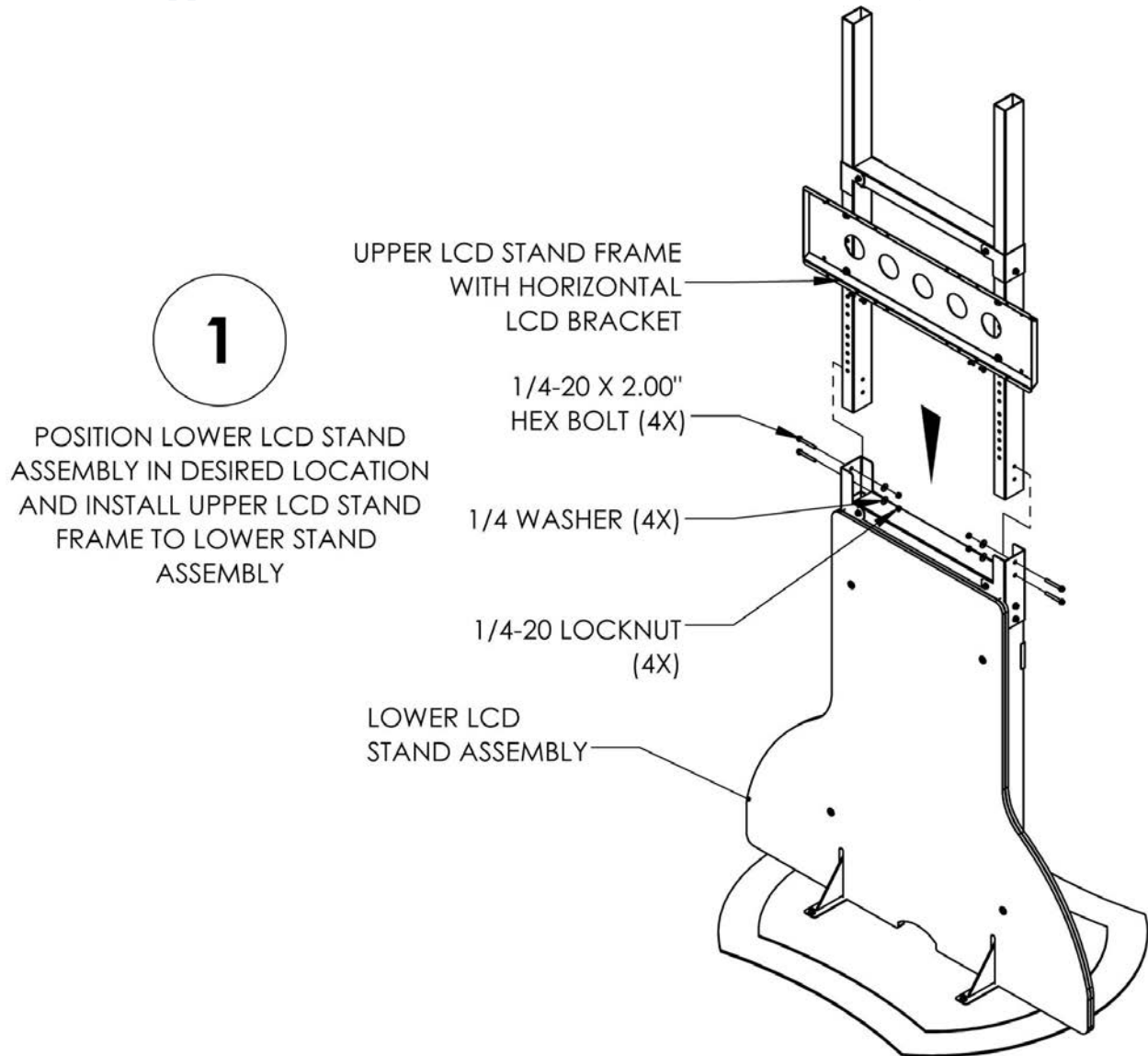
Please see unit for specified fuse labeling. Abbreviations:

5A 250V	5A, 250VAC Fast Acting 3AG Fuse	Littlefuse 0312005.MXP (or equivalent)
---------	---------------------------------	--

## NBA Superstars™ Service Manual

### Setup

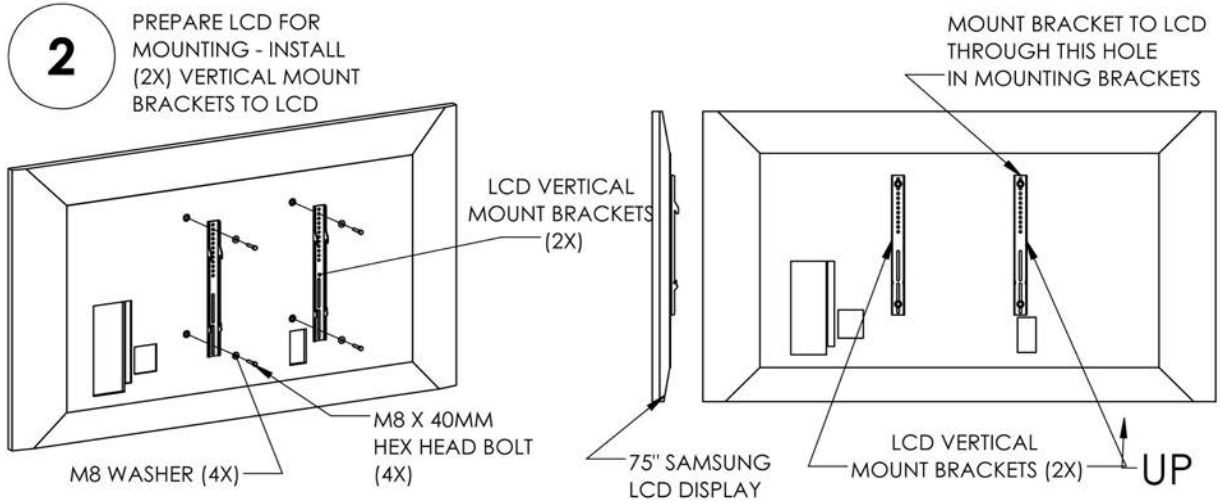
#### 1. Install Upper LCD Stand Frame to Lower LCD Stand Assembly



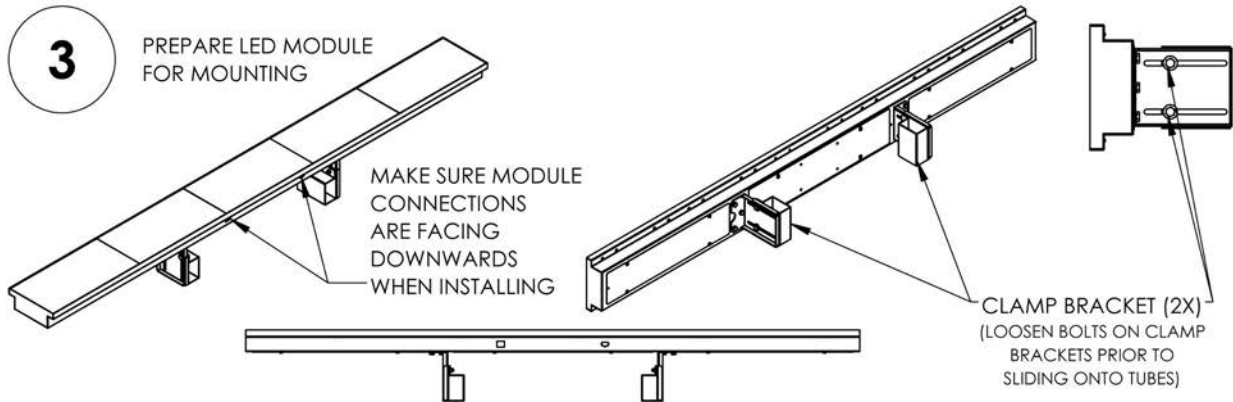


## NBA Superstars™ Service Manual

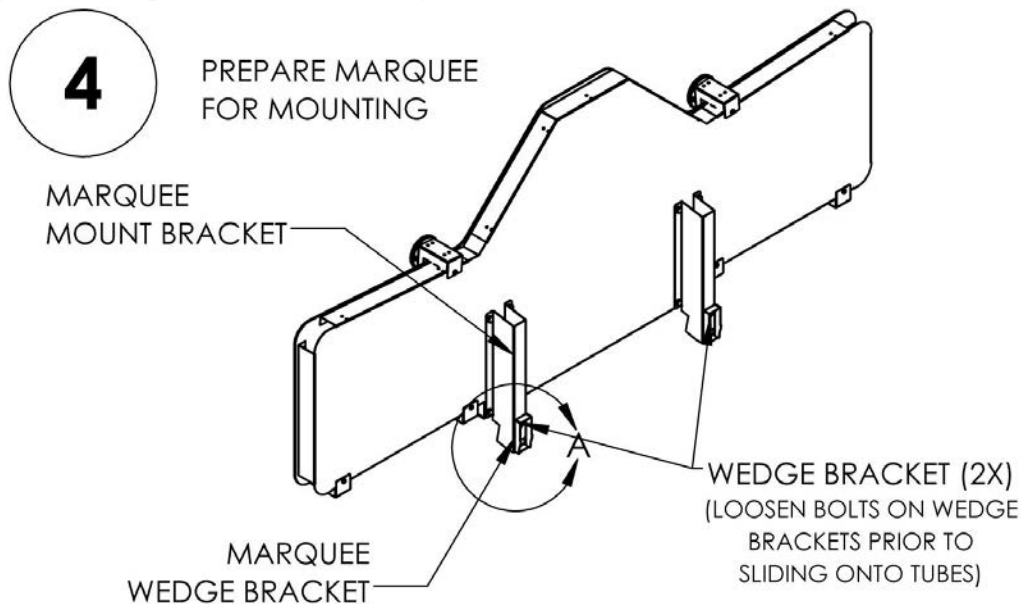
### 2. Install LCD Vertical Mount Brackets



### 3. Prepare LED Module for Mounting



### 4. Prepare Marquee for Mounting

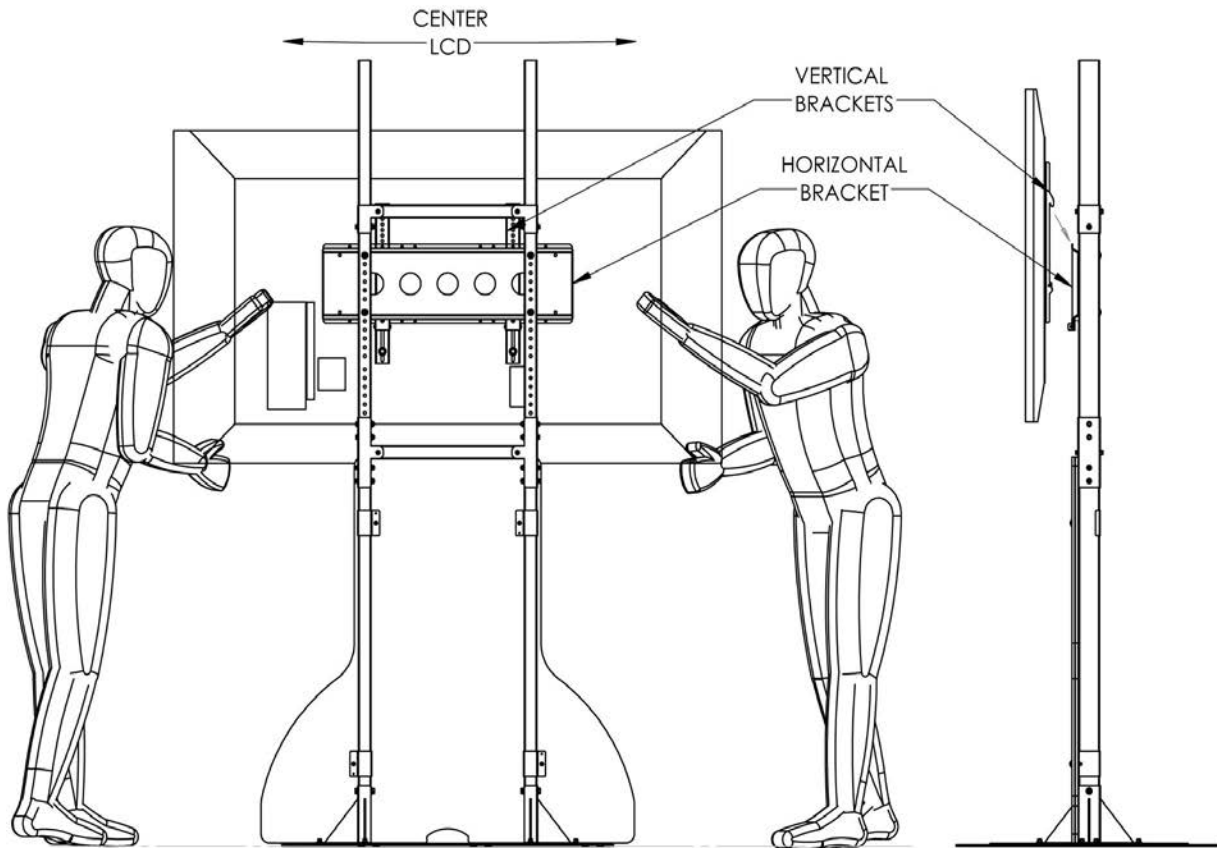


## NBA Superstars™ Service Manual

### 5. Lift and Hang LCD Display

**5**

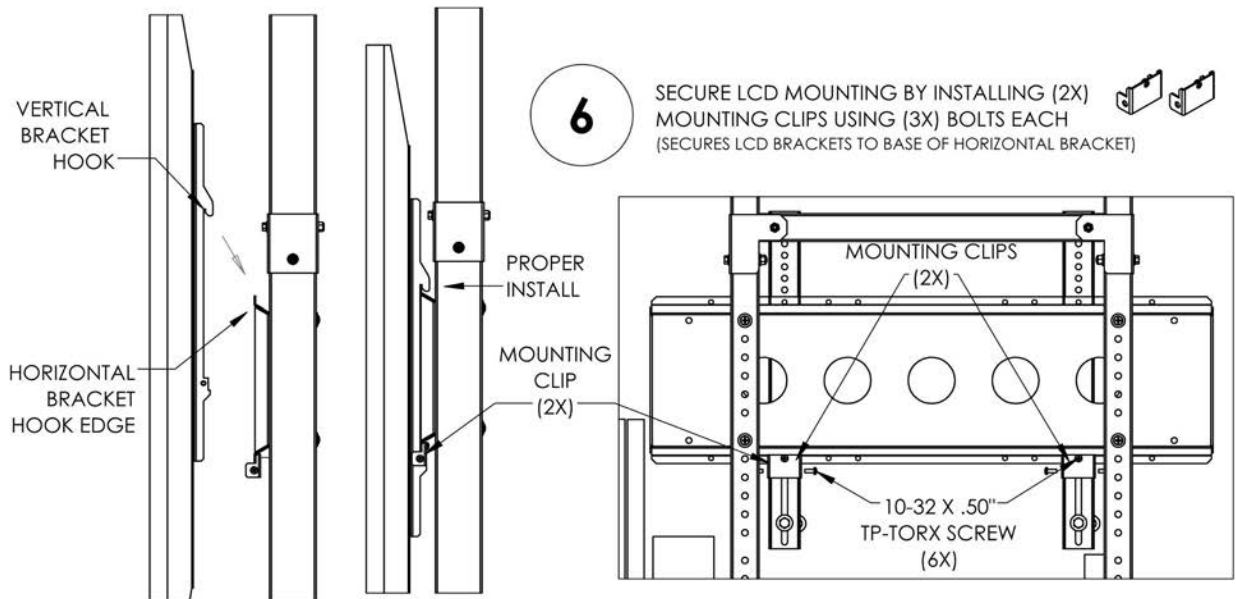
USING TWO PEOPLE - LIFT AND HANG THE LCD DISPLAY ASSEMBLY BY HOOKING THE LCD VERTICAL BRACKETS ONTO THE HORIZONTAL BRACKET EDGE AND CENTER THE LCD LEFT TO RIGHT



### 6. Secure LCD Mounting

**6**

SECURE LCD MOUNTING BY INSTALLING (2X) MOUNTING CLIPS USING (3X) BOLTS EACH (SECURES LCD BRACKETS TO BASE OF HORIZONTAL BRACKET)

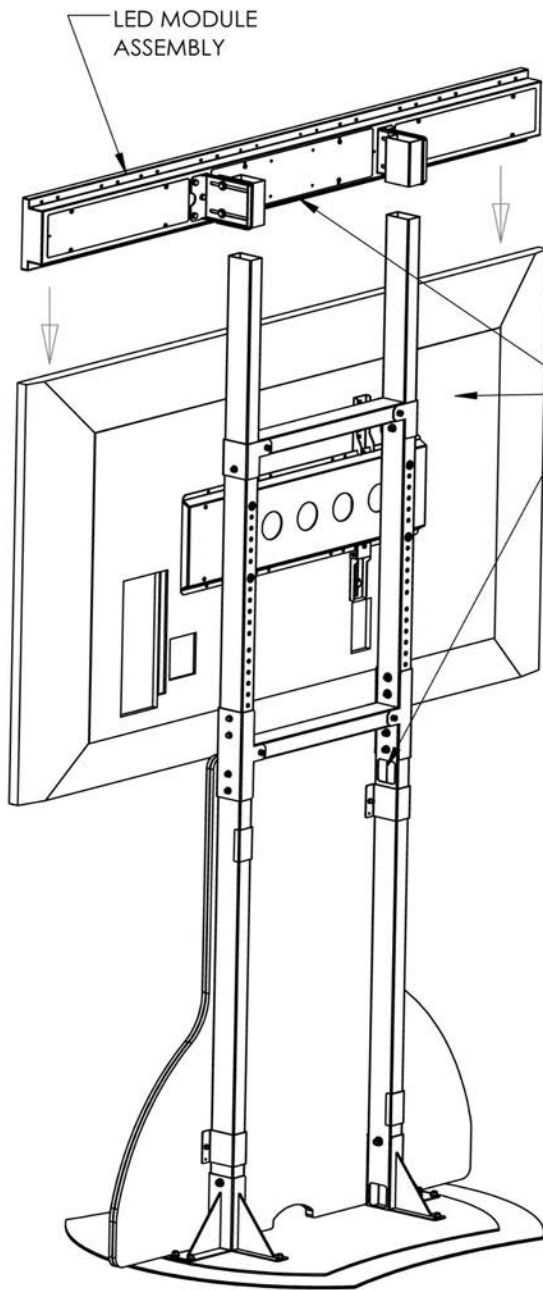




## NBA Superstars™ Service Manual

### 7. Attach LED Module Assembly to LCD Stand

**7** USING TWO PEOPLE - LIFT AND SLIDE THE LED MODULE ASSEMBLY ONTO THE LCD STAND TUBES (A STEP LADDER WILL BE NEEDED)



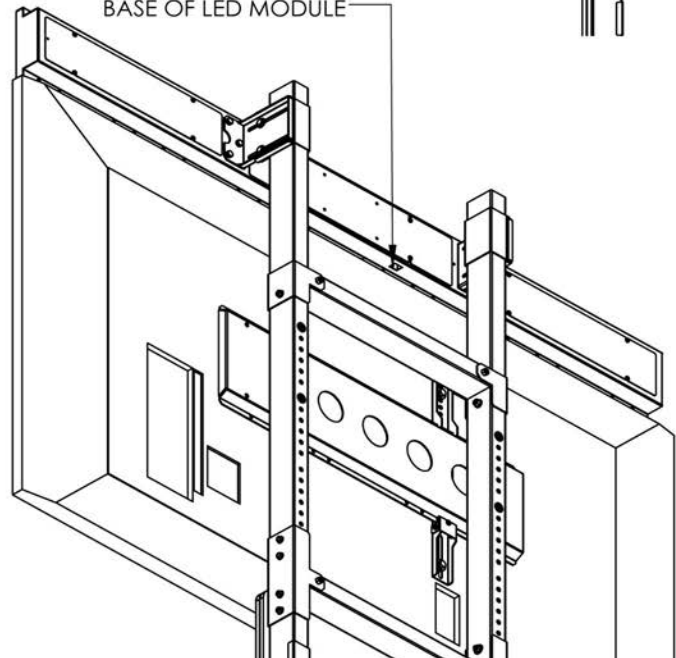
LED MODULE ASSEMBLY

**-IMPORTANT BEFORE ASSEMBLY-**  
BEFORE INSERTING MARQUEE INTO TUBES - LOOSEN THE 4 CLAMP BOLTS

POSITION MATRIX DISPLAY FLUSH WITH LCD FRONT  
MOUNT LED MODULE AS SHOWN AND SECURE IN PLACE BY TIGHTENING THE (4X) CLAMP BOLTS APPROX .50" (1/2") GAP

AFTER MODULE IS MOUNTED MAKE ALL CABLE CONNECTIONS FOR MODULE AND LCD ASSEMBLIES

**-IMPORTANT BEFORE ASSEMBLY-**  
MAKE SURE ELECTRICAL CONNECTION ARE ON BASE OF LED MODULE

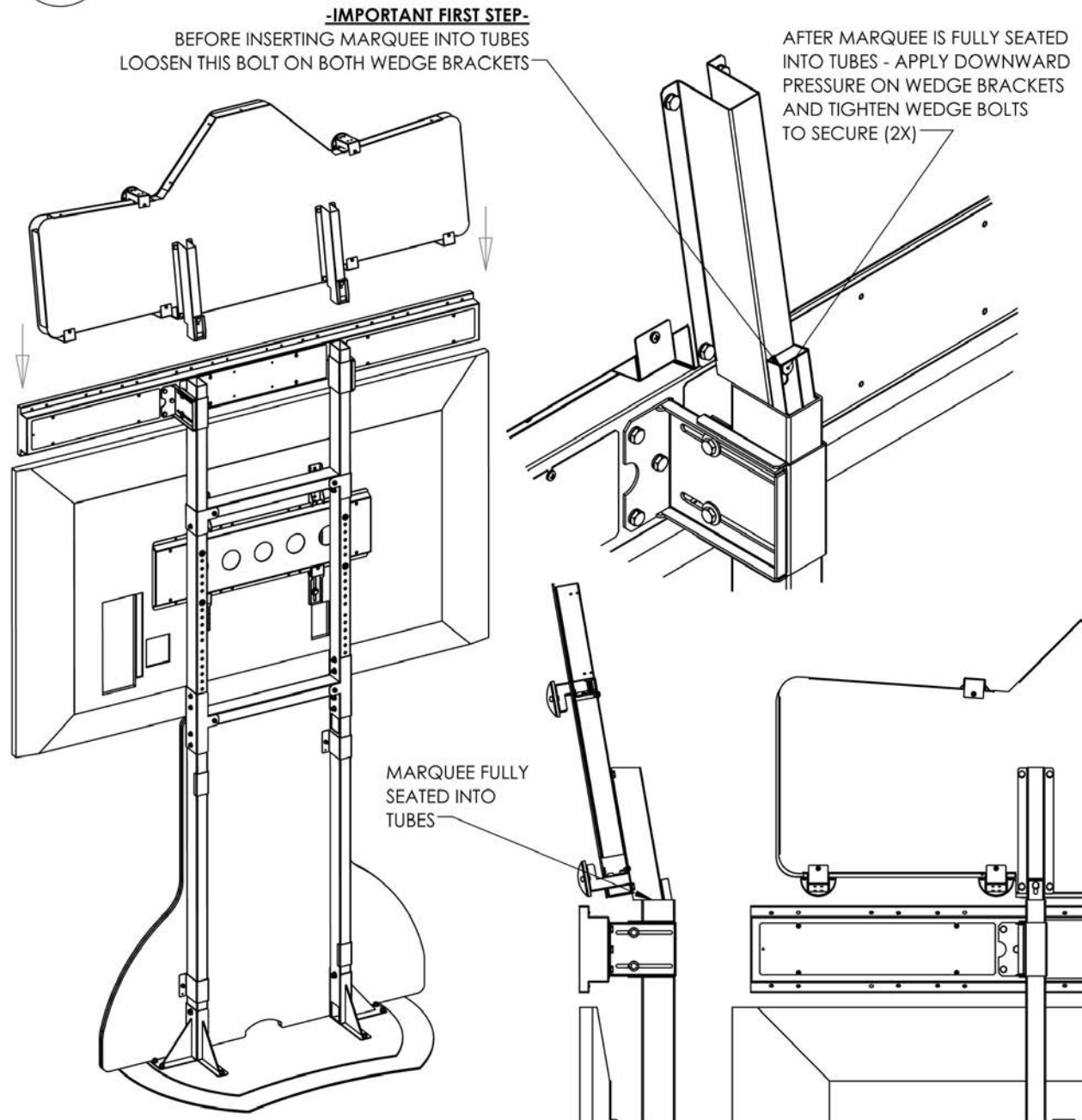


## NBA Superstars™ Service Manual

### 8. Install the Marquee Assembly

8

USING TWO PEOPLE - INSTALL THE MARQUEE ASSEMBLY  
-MAKE ELECTRICAL CABLE CONNECTIONS AS NEEDED-  
(A STEP LADDER WILL BE NEEDED)

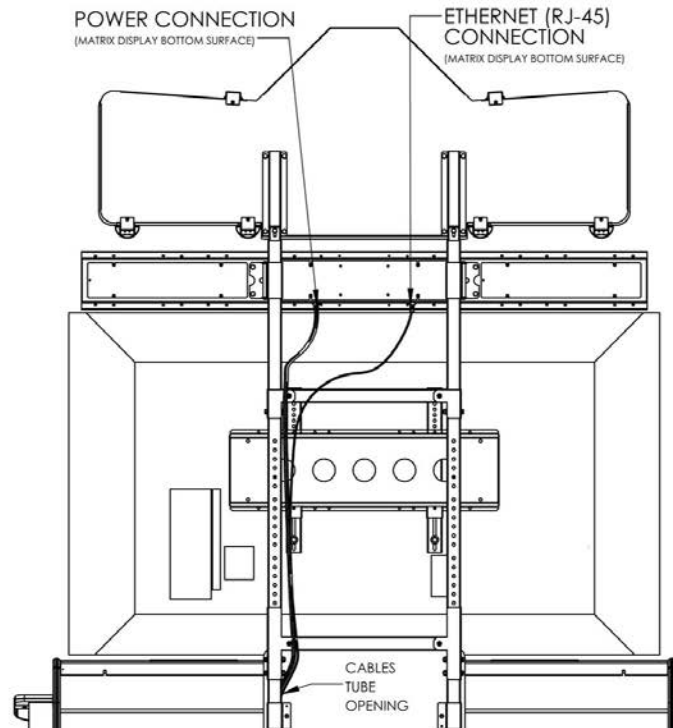
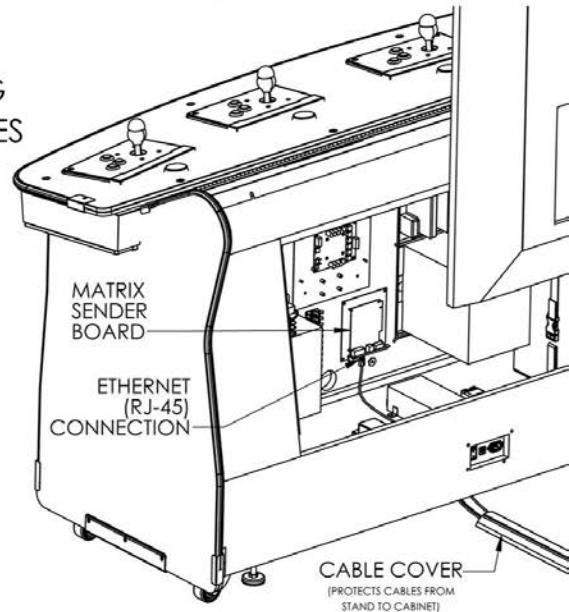
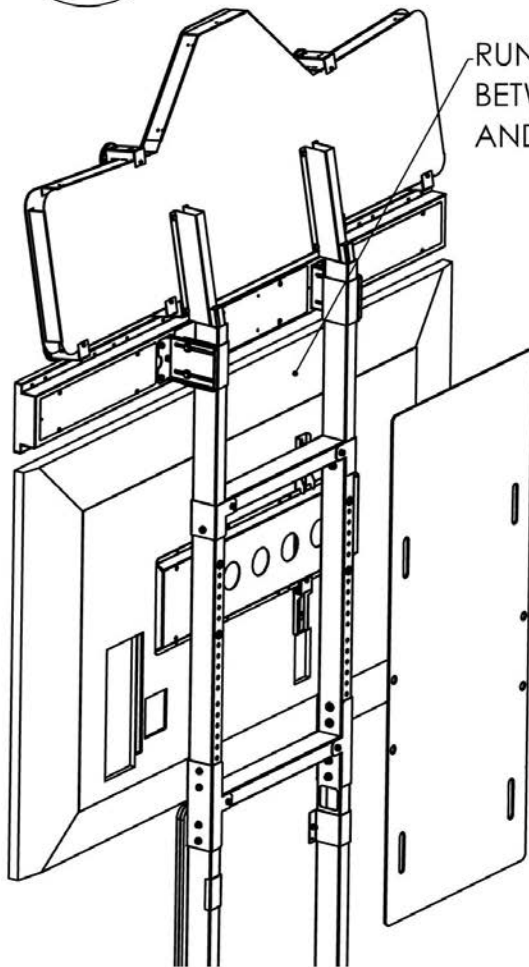


## NBA Superstars™ Service Manual

### 9. Complete Stand Assembly

9

COMPLETE STAND ASSEMBLY BY CLEANING UP ALL CABLE ROUTING AND ATTACHING COROPLAST COVER AND CABLE COVER ASSEMBLY

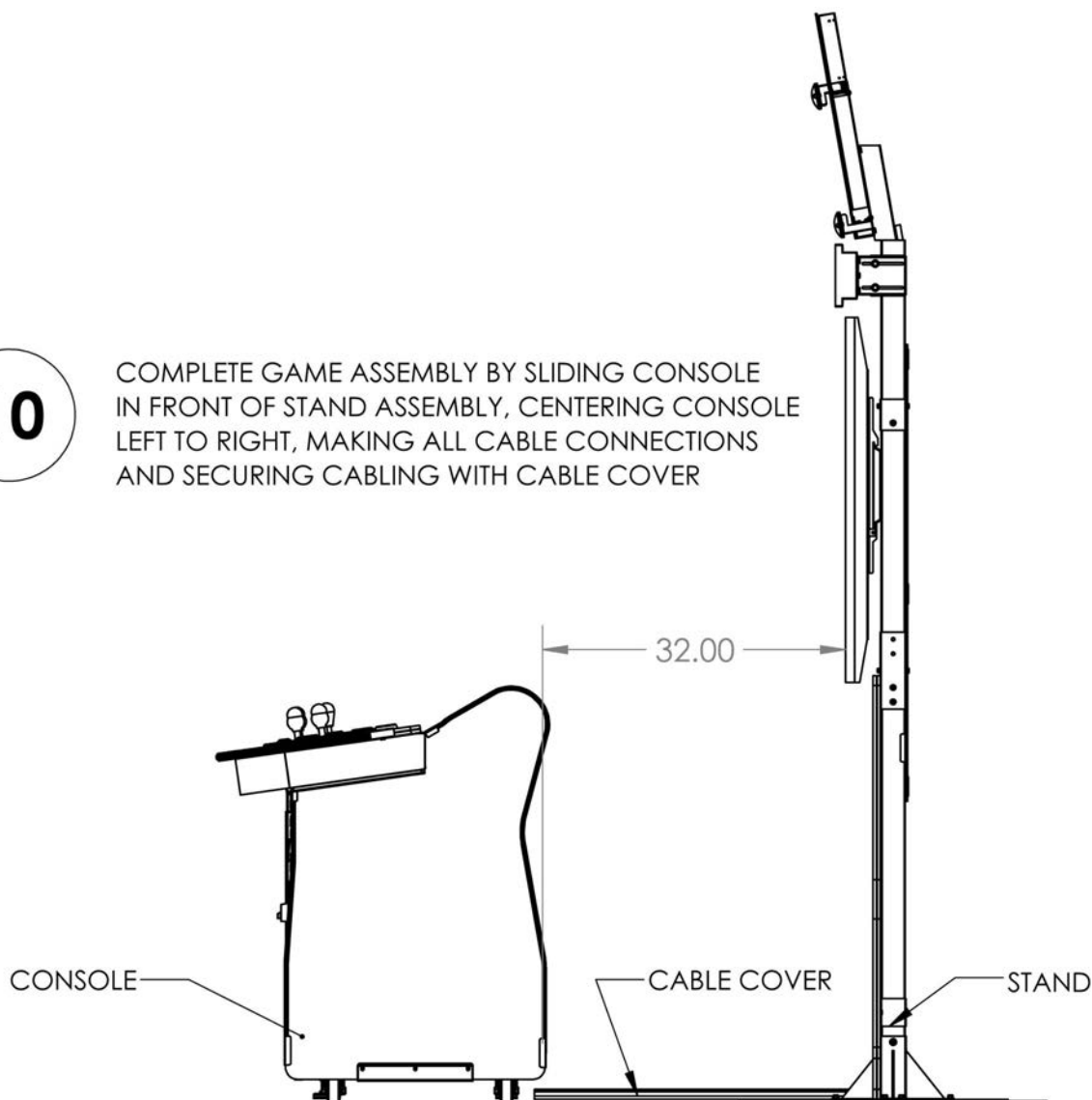


## NBA Superstars™ Service Manual

### 10. Position Control Panel Console and Make Final Connections

10

COMPLETE GAME ASSEMBLY BY SLIDING CONSOLE IN FRONT OF STAND ASSEMBLY, CENTERING CONSOLE LEFT TO RIGHT, MAKING ALL CABLE CONNECTIONS AND SECURING CABLING WITH CABLE COVER



Connect HDMI cable from display to PC HDMI port.

Connect RJ-45 cable from LED Ribbon to LED Sending Card. **\*\*\*DO NOT CONNECT TO PC\*\*\***

### 11. Verify Cabinet Functionality

1. Verify the voltage in the nearest AC outlet.
2. Verify the AC outlet ground connection is present and working.
3. Verify that the specified operating current will not overload the supply circuits.
4. Plug the line cords into AC outlet.
5. Turn the main cabinet power switch to ON.
6. Verify that the cooling fans on the cabinet are working.  
*If not, turn off AC power and disconnect line cord. Contact Betson service*
7. Check that no component is excessively hot or emitting foul odors.  
*If so, turn off AC power and disconnect line cord. Contact Betson service.*
8. Once software loads, you will be asked to setup the cabinet software.

## NBA Superstars™ Service Manual

# Game Software Setup

---

### Initial Setup

When first turned on, follow the onscreen prompts to complete initial game setup.

### Verify Input and Output Functionality

1. Enter the Diagnostic menu
2. Enter the INPUT TESTS menu and verify all switches and inputs function.
3. Enter the VIDEO TESTS menu and verify that video is acceptable.
4. Enter the COIN METER TEST and verify the operation of the coin meter.
5. Enter the LAMP TESTS menu and verify that the lamps of the buttons work correctly.
6. Enter the SOUND TEST menu and verify the audio works and is not distorted.
7. Enter the WATCHDOG TEST menu, which re-boots the game.
8. Upon a successful re-boot, you are ready to make adjustments to pricing, volume and other functions found in the Diagnostic menu.

### Online Registration

---

NBA Superstars can be connected online allowing it to update to new software releases automatically.



## NBA Superstars™ Service Manual

### PC Connection Guide



\*Note – TV must be connected by an HDMI cable. Do not use an HDMI adapter.

\*\*Note – Do not connect LED Ribbon to the PC Ethernet port. LED Ribbon must be connected to LED Sending Card. LED Sending Card is connected to PC via the Display port.



## NBA Superstars™ Service Manual

# Maintenance

---

### Hard Drive Recovery

Symptoms requiring hard drive recovery include:

- File Test reports bad or missing files
- Game fails to finish loading during startup
- After resetting the AC power, an error is reported
- You are prompted to insert a boot DVD
- Erratic Game or Attract Mode
- A screen indicating Data Files Corrupted

### COMPUTER

The computer contains sensitive components, including a hard drive. Do not handle roughly. Call your distributor before servicing its internal components. Ask about warranty information as it relates to the PC.

Do **not** use the PC on/off switch. Turn AC power on or off with the main cabinet power switches.

### Flash Drive Restore

1. Turn both cabinet AC power switches to OFF.
2. Connect USB flash drive to an open USB port found inside the coin door.
3. Turn both cabinet AC power switches to ON.
4. Initial software loading may take several minutes. Check progress periodically.  
***Do not interrupt power or reset the game during recovery.***
5. When software has finished loading, a message indicates that restore is complete.
6. Turn both cabinet power switches to OFF and disconnect USB flash drive.
7. After 30 seconds, turn both cabinet power switches to ON.
8. After game restarts, the game will proceed through the Setup wizard with factory defaults.

## NBA Superstars™ Service Manual

# Troubleshooting

**Warning: Review safety chapter before making any adjustments to game.**

### General Troubleshooting

Problem	Possible Cause	Solution
Game will not power up	Game not plugged in.	Plug game into outlet.
	Game not turned on.	Turn on main power switch.
	Game fuse is blown.	Check and replace fuse.
	Game power line circuit breaker tripped.	Check and reset game power line circuit breaker.
	No power to receptacle.	Test outlet and plug game into powered outlet.
	PC not turned on.	Ensure IEC cable tightly plugged in. Trace cable back to source to ensure continuity.
	PC BIOS set incorrectly.	Set PC BIOS to boot on power.

NO VIDEO message	Video cables not plugged in properly	Reattach and/or tighten video cable to monitor. Reattach and/or tighten video cable to PC.
	Faulty video cable	Replace video cable

No sound	Bad Connection	Check connection to speakers and amplifier board.
	Audio Cable Disconnected	Check audio cable and connection

Game does not load	Hard drive failure	Recover hard drive.  See procedure on pg 15.
Hard drive test reports "bad" or "missing" files.		
Game fails to finish loading.		
After resetting, game still reports an error.		
Game suggests inserting a boot DVD.		
Erratic game mode or attract mode.		
<p style="text-align: center;"><b>WARNING!</b> Data Files Corrupted. (Game Operation May Become Unstable.) Use "Test" Switch to Enter Test Mode and Run "File Test." Press Start To Continue.</p>		

Game resets	Bad file.	Run File Test. Restore hard drive.
-------------	-----------	------------------------------------

## NBA Superstars™ Service Manual

<b>Problem</b>	<b>Possible Cause</b>	<b>Solution</b>
Coin meter does not click	No pulse to meter	Check all wiring from meter to I/O board
	Faulty meter	Replace coin meter
Exits Test Mode every 3 seconds	Test button stuck in ON position	Slide or toggle button off after Test Menu appears
<i>Dongle Not Present</i>	Dongle missing or disconnected	Find dongle usb connection and reseal in USB port
	Faulty USB port	Test dongle in another USB port
<i>Connect I/O Board or I/O Board Missing</i>	USB cable disconnected	Check USB connection from PC to I/O board
	Blown fuse	Check and replace fuse.
	No power to RIO2 board	Check for proper voltage (+12V) at RIO2 P1 connector
	Bad RIO2 Board	Replace RIO2 board with known functional board
<i>LED Ribbon isn't working</i>	Power cable disconnected	Check Power cable connection from LED Ribbon
	RJ-45 cable not connected	Verify RJ-45 cable is connected from LED Ribbon to LED sending card
	Display Port cable not connected	Verify Display Port cable connected from LED sending card to PC

## NBA Superstars™ Service Manual

### Online Troubleshooting

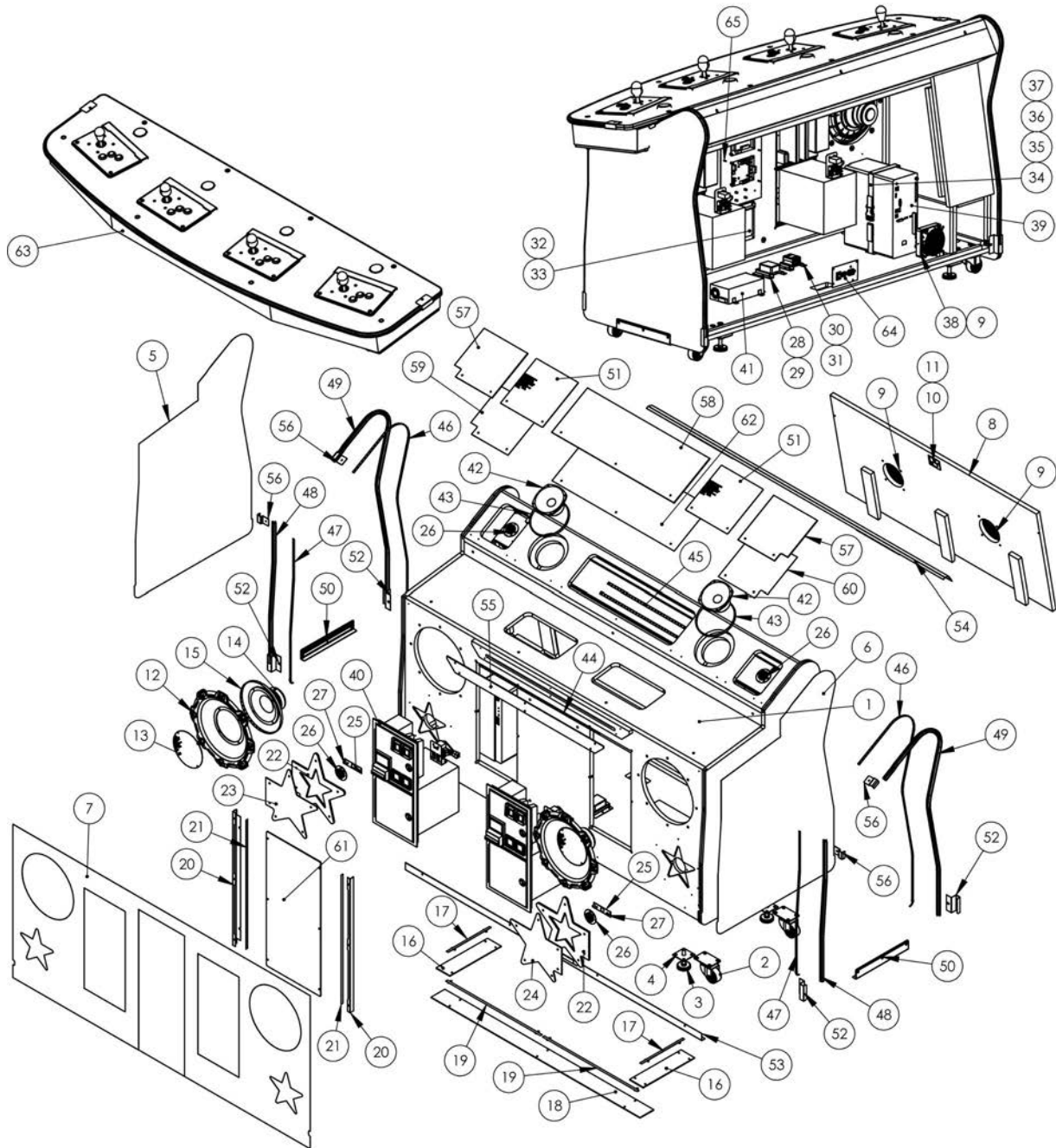
Problem	Possible Cause	Solution
Game cannot connect to CoinUp® server. No IP address appears under Test Connections menu	No broadband internet service	Contact a local ISP to setup either cable modem or DSL service.
	Wrong router configuration	Configure router for DHCP (Dynamic Host Configuration Protocol).
	Disconnected Ethernet cable	Check that Ethernet cables are tightly connected at both ends. An audible click confirms tightness. Reboot game. In Diagnostic mode, select Online, then Test Connection. Confirm that IP address appears. The phrase eth0 must follow IP address.
	Faulty Ethernet cable	Test cable by connecting it from another PC into router or wall jack. Replace cable if faulty.
	Faulty Ethernet wall jack.	Plug Ethernet cable into a different jack.
	Broadband service is down.	Contact ISP.
	Faulty router	Plug Ethernet cable into different jacks in router. Plug Ethernet cable directly into DSL or cable modem instead of router. Replace router if faulty.
	Faulty network card	Call CoinUp® service

Problem	Possible Cause	Solution
Game has IP address and screen says <i>Server Ping Success</i> but Test Connection screen reports Database Ping failure or File Server Ping failure.	Firewall is blocking communication with server.	Read firewall documentation. Ensure configuration allows ICMP Echo. If router has built-in firewall, check router configuration. Enable communication on ports 80, 443, 7786, and 7787.
	Database or File Server is down	Wait 30 minutes and revisit Test Connection screen. If still reporting failure, call CoinUp® service.

## NBA Superstars™ Service Manual

### Parts

#### NBA Superstars – Four Player – Console Assembly



#### NBA Superstars – Four Player – Console Assembly Part Numbers

Item	Part No.	Description	QTY
1	R90-23-26	NBA 4player wood console assembly	1
2	JULANG – 2.5 inch Caster Assy-part	JULANG – 2.5 inch caster assembly	4
3	Leg Leveler	1/2-13 x 4" length leg leveler	4
4	Leg Leveler Plate	2.50 x 2.50 x 1/2-13 CTR – Leveler Plate	4
5	R90-13-165	NBA 4 player Panel Decal - Left side	1
6	R90-13-166	NBA 4 player Panel Decal - Right side	1

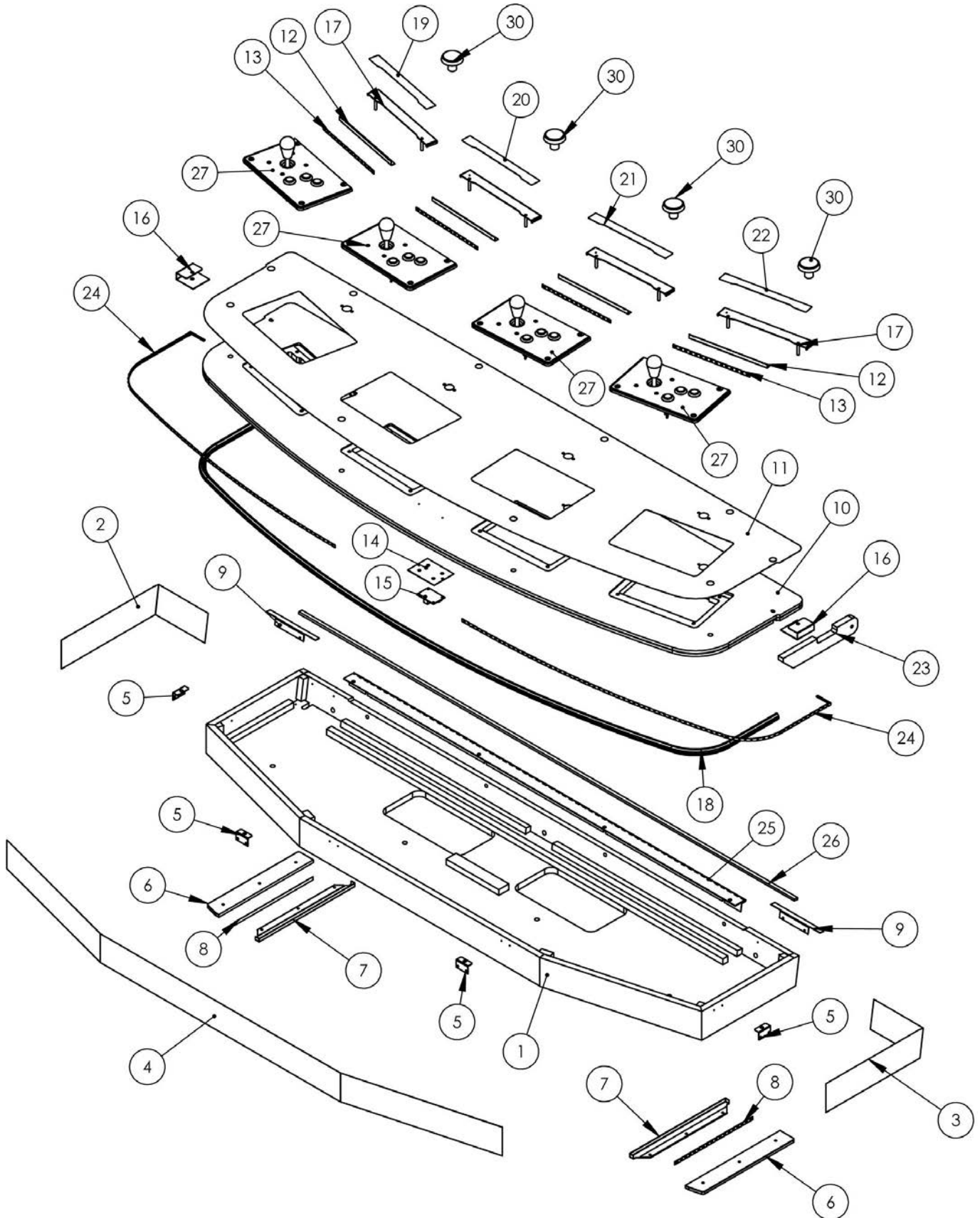
## NBA Superstars™ Service Manual

7	R90-13-167	NBA 4 player Panel Decal - Front	1
8	R90-23-27	NBA 4 player Rear Door Panel	1
9	800-00001-00	120mm Wire Fan Guard	4
10	Lock 7/8" w/ 1.25 Cam	Lock Assembly	1
11	N202-130	Retainer Lock	1
12	603-00039-01	14.5-in Woofer Cone	2
13	R1-1141	NBA 4player – round woofer grill	2
14	807-00002-02	Woofer Speaker, 6.5in 4 ohms	2
15	500-00245-55	70cm LED strip (RGB)	2
16	R4-1032	NBA 4 player – PETG Base Side LEDS	2
17	25CM LED STRIP	25cm LED strip (RGB)	10
18	R4-1033	NBA 4 player – PETG Base Front LEDS	1
19	55CM LED STRIP	55cm LED strip (RGB)	2
20	R1-1130	NBA 4player – Bracket Logo	2
21	65CM LED STRIP (WHITE)	65cm LED strip (white)	2
22	R4-1035	NBA 4player HDPE Star Plate	2
23	R90-13-184	NBA 4player PETG Translite Star - Left	1
24	R90-13-185	NBA 4player PETG Translite Star - Right	1
25	R1-1139	NBA 4player Puck Light Plate	2
26	500-00205-01	White LED Superpuck PCB-36 LEDS	4
27	#8x.375-SPACER	#8 x .375LG Spacer	4
28	600-03206-01	Power Line Filter Bracket (Small)	1
29	442-00001-01	Line Filter CORCOM-6MV1	1
30	600-03119-01	Solid State Relay Bracket	1
31	800-00079-01	Crouzet 84137910N 25A Relay	1
32	R1-1138	NBA 4player Plate LED Sender Card	1
33	380-00002-01	LED Sending Card	1
34	87425K76 (56 length)	Nylon Strip 0.075" thick, 1" width, black (56" Length)	1
35	29705T86 (male)	Plastic Buckle for 1" Wide Web (Male)	1
36	29705T86 (female)	Plastic Buckle for 1" Wide Web (Female)	1
37	600-00891-01	Securing Nylong Strap Plate	1
38	820-00001-00	Fan, 120VAC, 19/15W	1
39	LenovoM70t	Lenovo M70t Computer	1
40	800-00005-01	Mid-width Coindoor – BBHD	2
41	330-00003-01	HRP-600-12: 600W, 12V Dual Voltage Power Supply	1
42	2-1-10-00-00-000	5.25 full range Speaker	2
43	500-00245-55	55cm RGB Clear Encased LED Strip	2
44	70CM LED Strip	70cm LED Strip (RGB)	1
45	40CM LED STRIP (WHITE)	40cm LED Strip (White)	2
46	500-00131-125	125cm LED Strip No Tape (RGB)	2
47	500-00131-65	65cm LED Strip No Tape (RGB)	2
48	TMOLD-SIDE-FRONT-NBA4	NBA 4player Tmold-Side Front	2
49	TMOLD-SIDE-BACK-NBA4	NBA 4player Tmold-Side Back	2
50	603-01002-01	Tmolding Clip 12" Clear	2
51	R1-1124	NBA 4player – Speaker Grill	2
52	R1-1125	NBA 4player – LED Bracket	4
53	R1-1126	NBA 4player – Retainer Base	1
54	R1-1129	NBA 4player – Retainer Top Console	1
55	R4-1034	NBA 4player – PETG Front Panel LEDS	1
56	R1-1136	NBA 4player – TMOLD Clip	4
57	R4-1031	NBA 4player – PETG Control Panel Marquee	2
58	R4-1038	NBA 4player – PETG Control Panel Center Marquee	1
59	R90-13-182	NBA 4player - Control Panel Translite - Left	1
60	R90-13-183	NBA 4player - Control Panel Translite - Right	1
61	R90-13-186	NBA 4player – PETG Translite NBA Logo	1
62	R90-13-191	NBA 4player – Translite Control Panel Center Marquee	1
63	CONTROL-PANEL-ASSY-NBA4	NBA 4player – Control Panel Assembly	1
64	POWER-PLATE-ASSY-NBA4	NBA 4player – Power Plate Assembly	1
65	RIO-PLATE-ASSY-NBA4	NBA 4player – Rio Plate Assembly	1



## NBA Superstars™ Service Manual

### NBA Superstars - Four Player - Control Panel Assembly



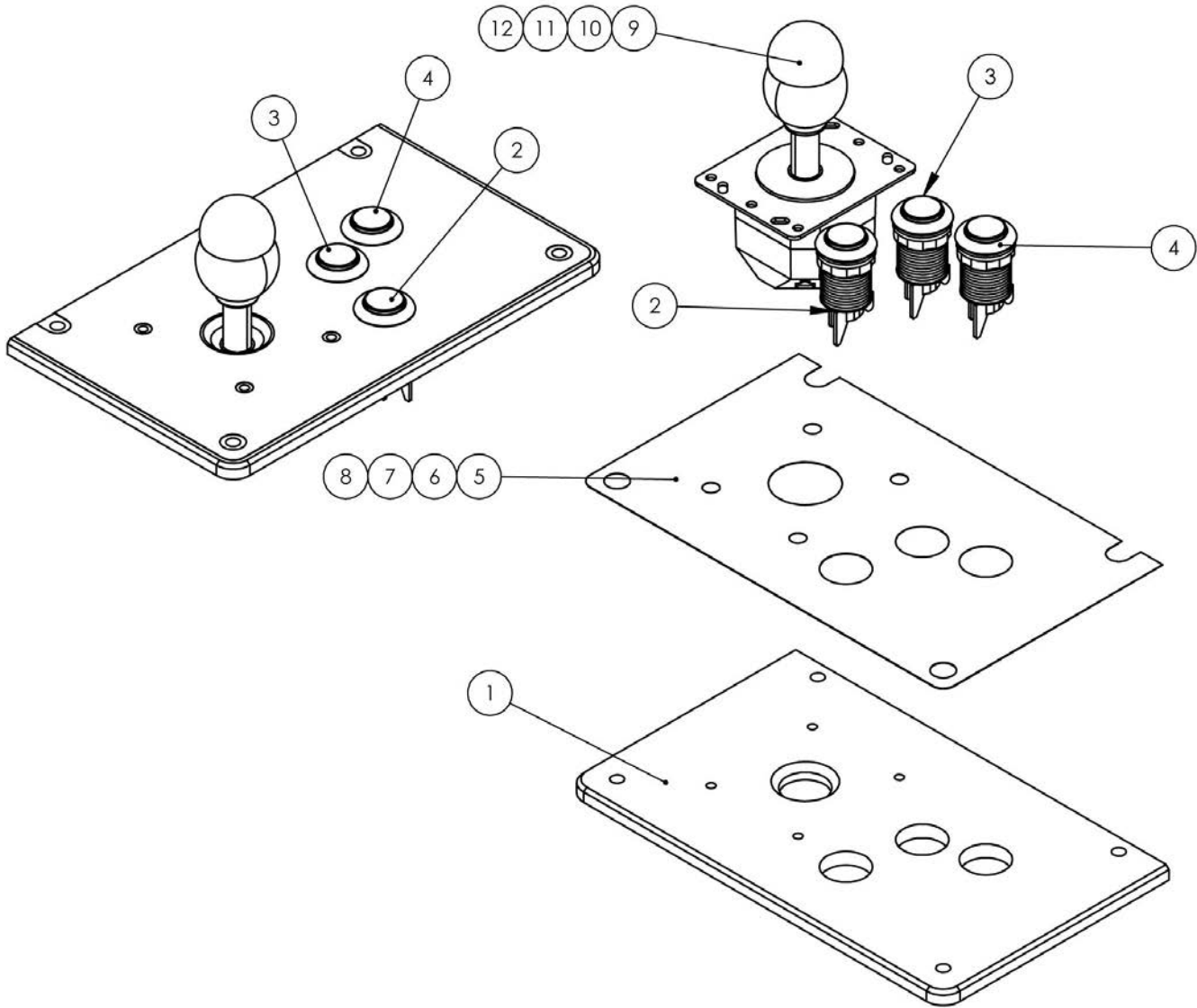
## NBA Superstars™ Service Manual

### NBA Superstars – Four Player – Control Panel Assembly Part Numbers

Item	Part No.	Description	QTY
1	R90-23-28-FM	NBA 4 player – Wood Control Panel Housing Assembly	1
2	R90-13-168	NBA 4player – Control Panel Decal – Left	1
3	R90-13-169	NBA 4player – Control Panel Decal – Right	1
4	R90-13-170	NBA 4player – Control Panel Decal – Front	1
5	R1-1123	NBA 4player – Control Panel – mounting bracket	4
6	R4-1029	NBA 4player – acrylic LED cover	2
7	R1-1144	NBA 4player – control panel base bracket	2
8	35cm LED strip (RGB)	30cm LED strip (RGB)	2
9	R1-1143	NBA 4player – control panel trim	2
10	R90-23-29	NBA 4player – control panel	2
11	R90-13-172	NBA 4player – Control Panel Decal	2
12	R1-1133	NBA 4player – angle LED	8
13	25cm LED STRIP	25cm LED strip (rgb)	8
14	R1-1137	PLATE-MATRIX-PCBA-NBA4	2
15	500-00218-02	8 x 5 Diode Matrix PCB	2
16	R1-1131	NBA 4player – control panel bracket LED	4
17	R1-1132	NBA 4player – control plate bracket	8
18	TMOLD-CONTROL-PANEL-NBA4	NBA 4player – control panel tmolding	2
19	R90-13-173	NBA 4player – Bracket Decal - Player 1	2
20	R90-13-174	NBA 4player – Bracket Decal - Player 2	2
21	R90-13-175	NBA 4player – Bracket Decal - Player 3	2
22	R90-13-176	NBA 4player – Bracket Decal - Player 4	2
23	R90-23-31	PANEL-PROP-ROD-NBA4	4
24	500-00131-155	125CM-RGB-LED-STRIP-NO-TAPE	4
25	R1-1128__1	HINGE-BASE-R1-1128	4
26	7-130-5__75in	1/4-X-1/2 VF ADHESIVE-BACKED-FOAMTAPE-ROLL	1
27	CP-PLATE-ASSY-NBA4	NBA 4player – Control Panel Plate Assembly	4

## NBA Superstars™ Service Manual

### NBA Superstars – Four Player – Control Panel Plate Assembly

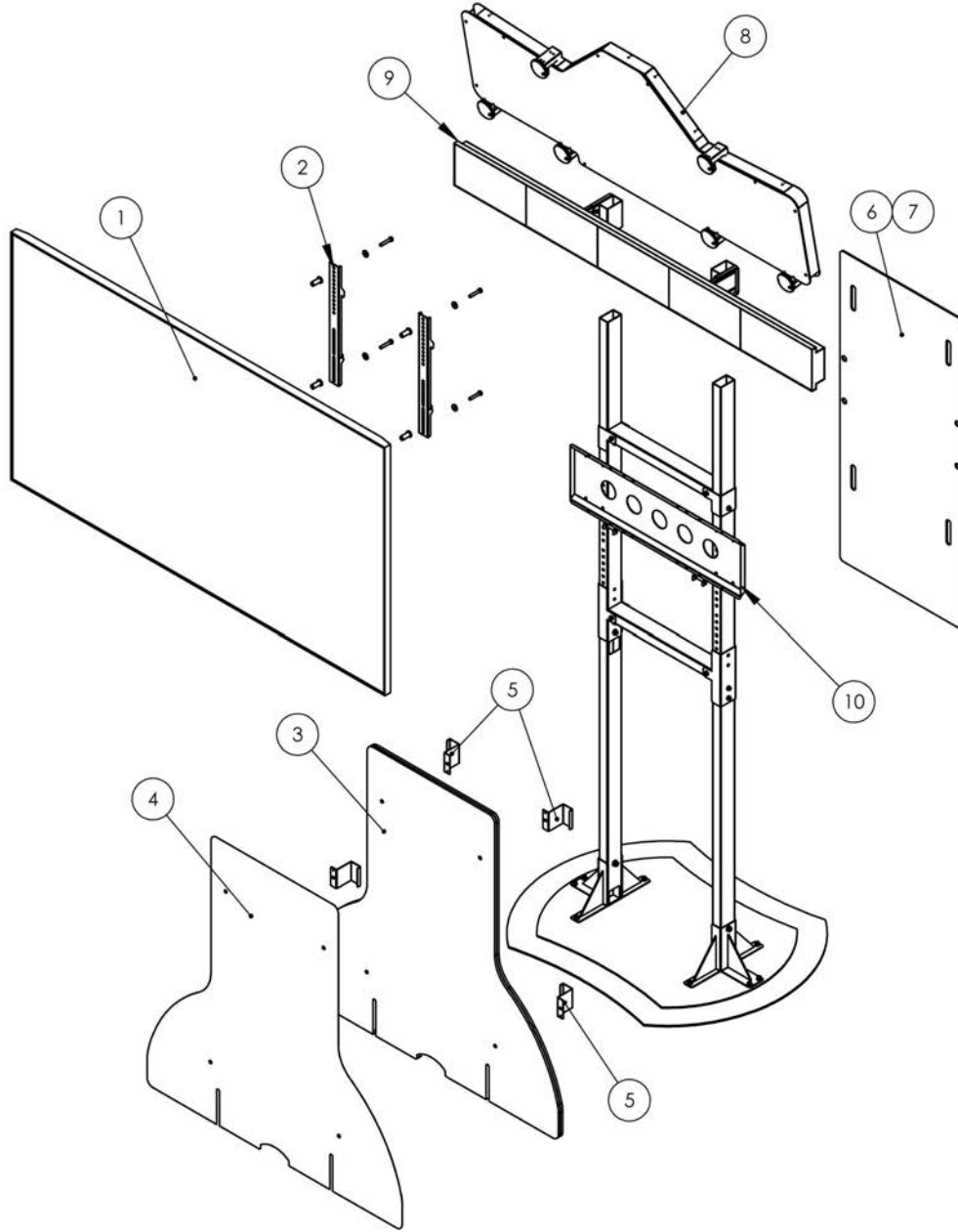


#### NBA Superstars – Four Player – Control Panel Plate Assembly Part Numbers

Item	Part No.	Description	QTY
1	R4-1028	ACRYLIC-CONTROL-PLATE-NBA4	1
2	90-AP-470-YEL	Standard Pushbutton – Yellow (HAPP 58-9155-LG)	1
3	90-AP-470-BLU	Standard Pushbutton – Blue (HAPP-58-9122-LG)	1
4	90-AP-470-WHT	Standard Pushbutton – White (HAPP-58-9111-LG)	1
5	R90-13-177	NBA 4player Control Plate Decal – Player 1	1
6	R90-13-178	NBA 4player Control Plate Decal – Player 2	1
7	R90-13-179	NBA 4player Control Plate Decal – Player 3	1
8	R90-13-180	NBA 4player Control Plate Decal – Player 4	1
9	R90-AP-12	49-way joystick bat – Red	1
10	R90-AP-13	49-way joystick bat – Yellow	1
11	R90-AP-14	49-way joystick bat – Blue	1
12	R90-AP-15	49-way joystick bat – Green	1

## NBA Superstars™ Service Manual

### NBA Superstars – Four Player – LCD Stand Assembly

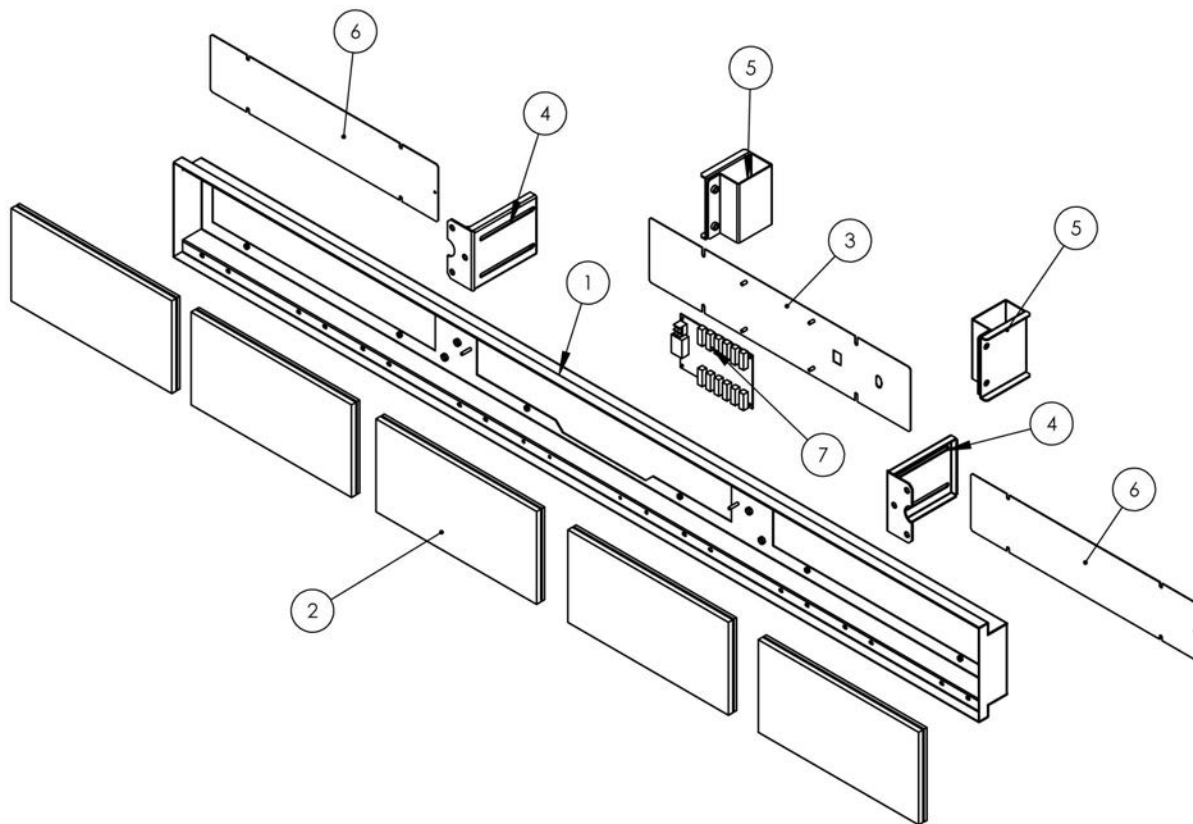


#### NBA Superstars – Four Player – LCD Stand Assembly Part Numbers

Item	Part No.	Description	QTY
1	75-LCD-LG-DIGITAL-SIGNAGE-NBA	75-LCD-LG – 75UR340C9UD UR340C Series	1
2	600-00751-01	BRKT-UNIV VERT LCD MOUNT	2
3	R90-23-30	PANEL-GRAPHIC-NBA4	1
4	R90-13-171	GRAPHIC-PANEL-DECAL-NBA4	1
5	R1-1127	RETAINER-PANEL-STAND-NBA4	4
6	600-03040-01	COROPLAST-COVER-HALO-TGUN	1
7	3M-DUAL-LOCK-2-INCH	3M-DUAL-LOCK-2-INCH	6
8	R1-1118	MARQUEE-HOUSING-NBA4	1
9	R1-1120	MODULE-HOUSING-NBA4	1
10	600-00752-01	BRKT-UNIV HORZ LCD MOUNT	1

## NBA Superstars™ Service Manual

### NBA Superstars – Four Player – LED Display Assembly



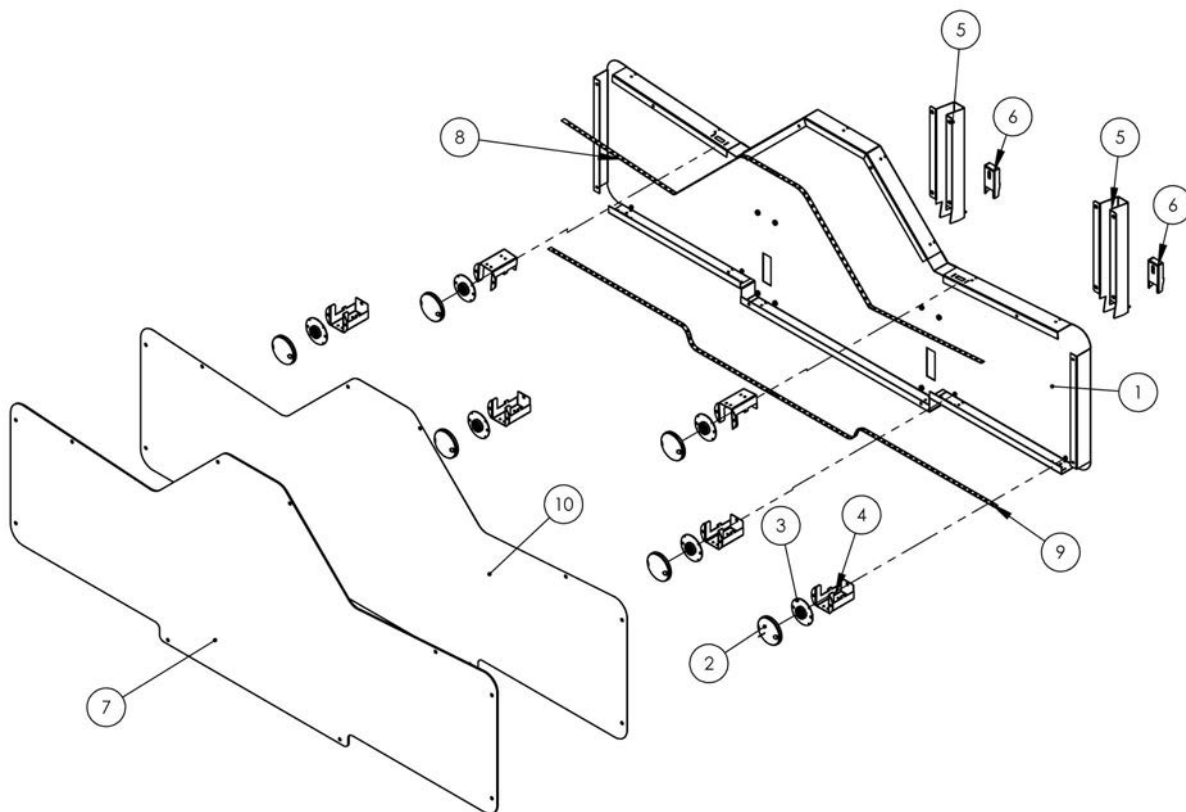
### NBA Superstars – Four Player – 65" LCD Assembly Part Numbers

Item	Part No.	Description	QTY
1	R1-1120	MOUDLE-HOUSING-NBA4	1
2	R90-AP-10	P2-LED-MOUDLE-320-160-20_FYF	5
3	R1-1142	PLATE-MODULE-CENTER-NBA4	1
4	600-01020-01	BRACKET-42" MARQUEE MOUNT	2
5	600-00770-01	BRACKET-CLAMP-MARQ-BBHD	2
6	R1-1121	PLATE-MODULE-ACCESS-NBA4	2
7	380-00001-01	LED-CONTROLLER-RECEIVER-CARD-PCBA	1



## NBA Superstars™ Service Manual

### NBA Superstars – Four Player – Marquee Assembly



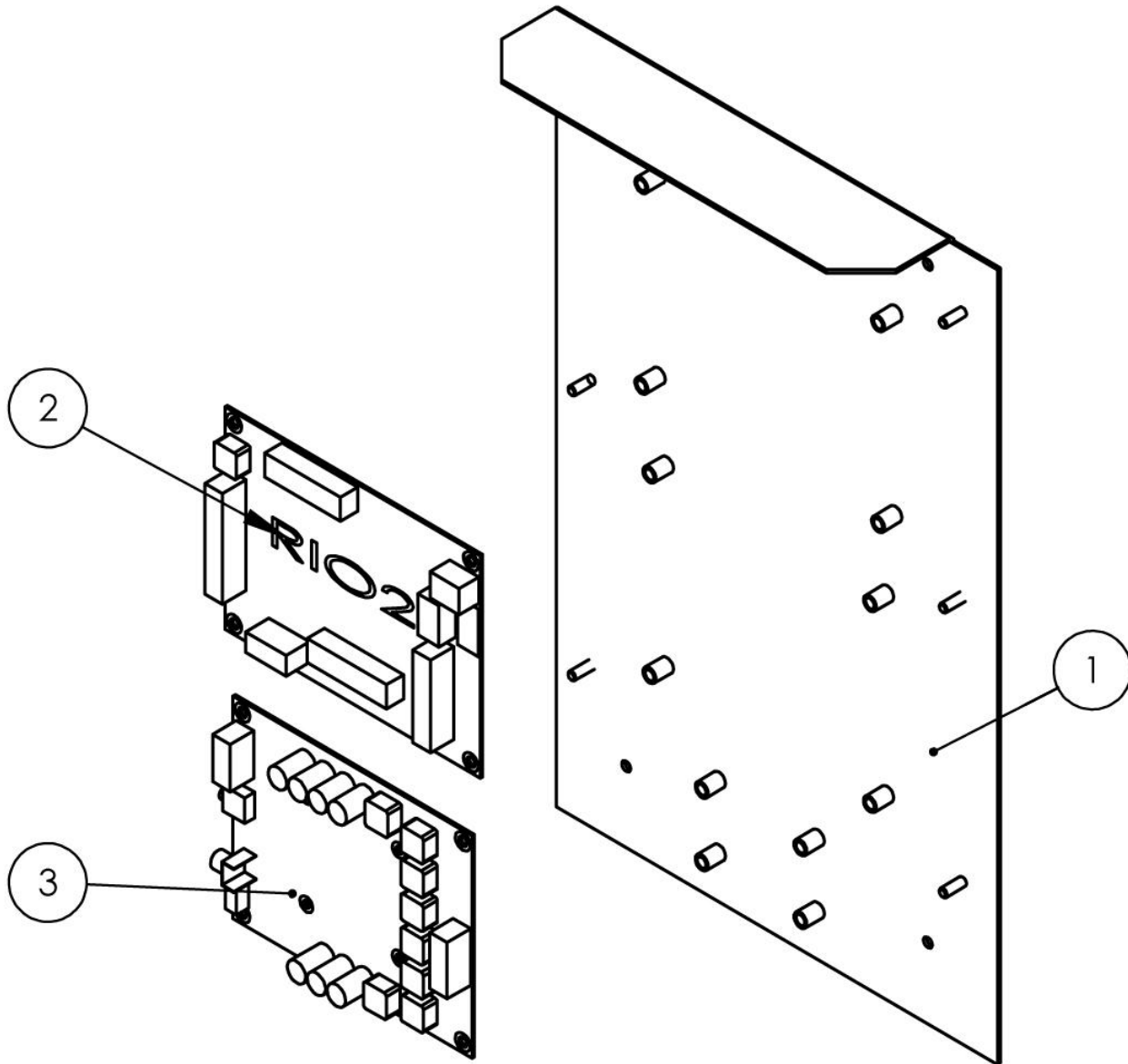
#### NBA Superstars – Four Player – Marquee Assembly Part Numbers

Item	Part No.	Description	QTY
1	R1-1118	MARQUEE-HOUSING-NBA4	1
2	603-00540-01	LED Spotlight Lens – CLEAR TINT	6
3	500-00064-01	WHITE LED PUCK LIGHT	6
4	R1-1122	BRACKET-SPOT-LIGHT-NBA4	6
5	R1-1119	BRACKET-MARQUEE-MOUNT-NBA4	2
6	600-02844-01	BRACKET-WEDGE-MARQUEE-MC-4P-75	2
7	R4-1030	PETG-MARQUEE-NBA4	1
8	160CM-RGB-LED-STRIP	WHITE-LED-STRIP-MARQUEE-NBA4	1
9	160CM-RGB-LED-STRIP	WHITE-LED-STRIP-MARQUEE-NBA4	1
10	R90-13-181	TRANSLITE-MARQUEE-NBA4	1



## NBA Superstars™ Service Manual

### NBA Superstars – Four Player – Rio Plate Assembly

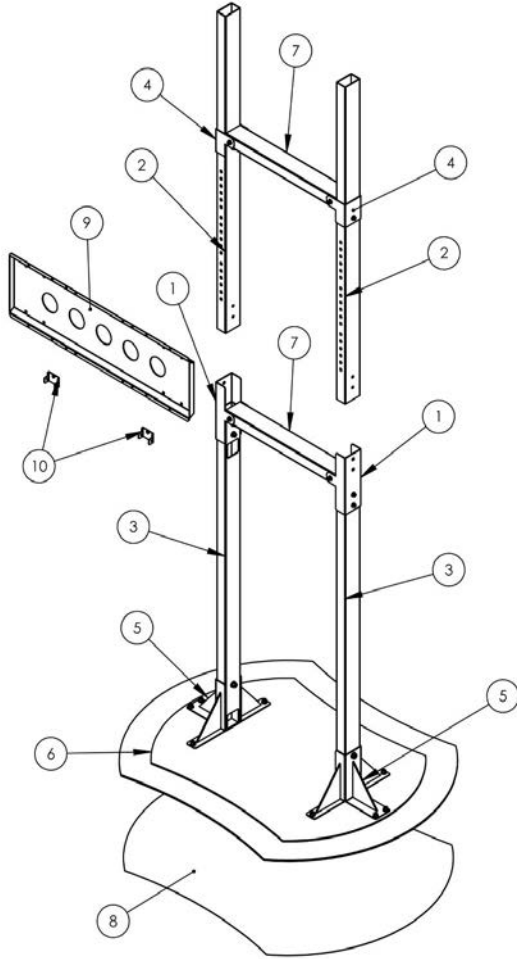


#### NBA Superstars – Four Player – Rio Plate Assembly Part Numbers

Item	Part No.	Description	QTY
1	600-02049-01	RIO Mounting Plate (w/ Motion Control PCB)	1
2	500-00199-05	RIO2-PCB-ASSY	1
3	500-00212-03	RIO2-AUDIO-AMPLIFIER-PCBA	1

## NBA Superstars™ Service Manual

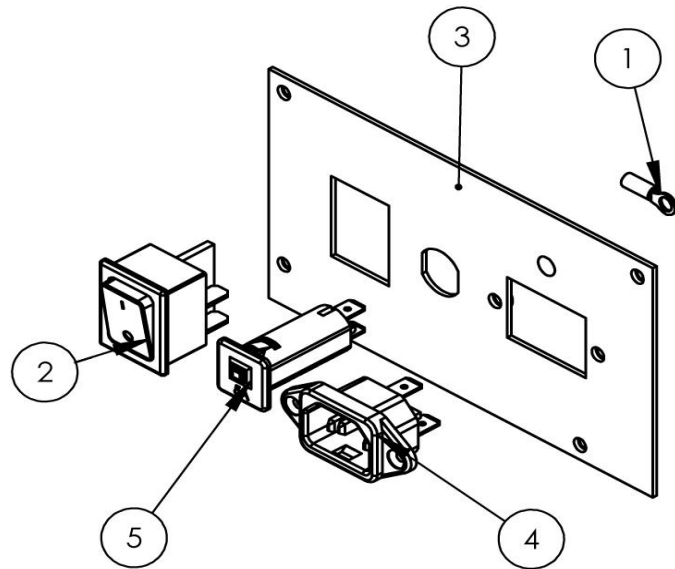
### NBA Superstars – Four Player – LCD Stand Assembly



#### NBA Superstars – Four Player LCD Stand Assembly Part Numbers

Item	Part No.	Description	QTY
1	600-00985-01	TUBE-JOINER	2
2	600-00986-01	UPPER-TUBE	2
3	600-00987-01	LOWER-TUBE	2
4	600-00988-01	UPPER-BRACKET	2
5	600-00989-01	WELDED-TUBE-SUPPORT	2
6	600-00990-01	STAND-BASE	1
7	600-00991-01	CROSS-TUBE	2
8	600-00994-01	RUBBER-BASE-PAD	1
9	600-00752-01	BRKT UNIV HORZ LCD MOUNT	1
10	600-00760-01	CLIP UNIV LCD MOUNT	2

### NBA Superstars – Four Player Power Plate Assembly



#### NBA Superstars – Four Player – Power Plate Assembly Part Numbers

Item	Part No.	Description	QTY
1	1832-33-12	Ring and Spade Tongue Terminal	1
2	600-01681-01	AC-SWITCH-15AMP-125V-HEILAND-ELECT	1
3		PLATE, AC – LINE FILTER, CIRCUIT BREAKER, ON/OFF SW	1
4	T9-611-5A	IEC Appliance Inlet, Screw-on Mounting, Front Side, Quick-connect 10A	1
5		5A-Circuit Breaker, Snap-in type, Fuseholder style, 1 pole (Schurter #4404.0007)	1

## NBA Superstars™ Service Manual

### Contact Information

---

For an authorized distributor near you, visit Raw Thrills at <http://www.rawthrills.com/sales-service>

For service, contact your local distributor or your local Betson office for sales, technical information, warranty or repair. Betson can be reached at (800) 524-2343 Fax (201) 438-4837 [www.betson.com](http://www.betson.com)

#### **Betson Enterprises Headquarters**

303 Paterson Plank Rd.

Carlstadt, NJ 07072

(800) 524-2343 or (201) 438-1300

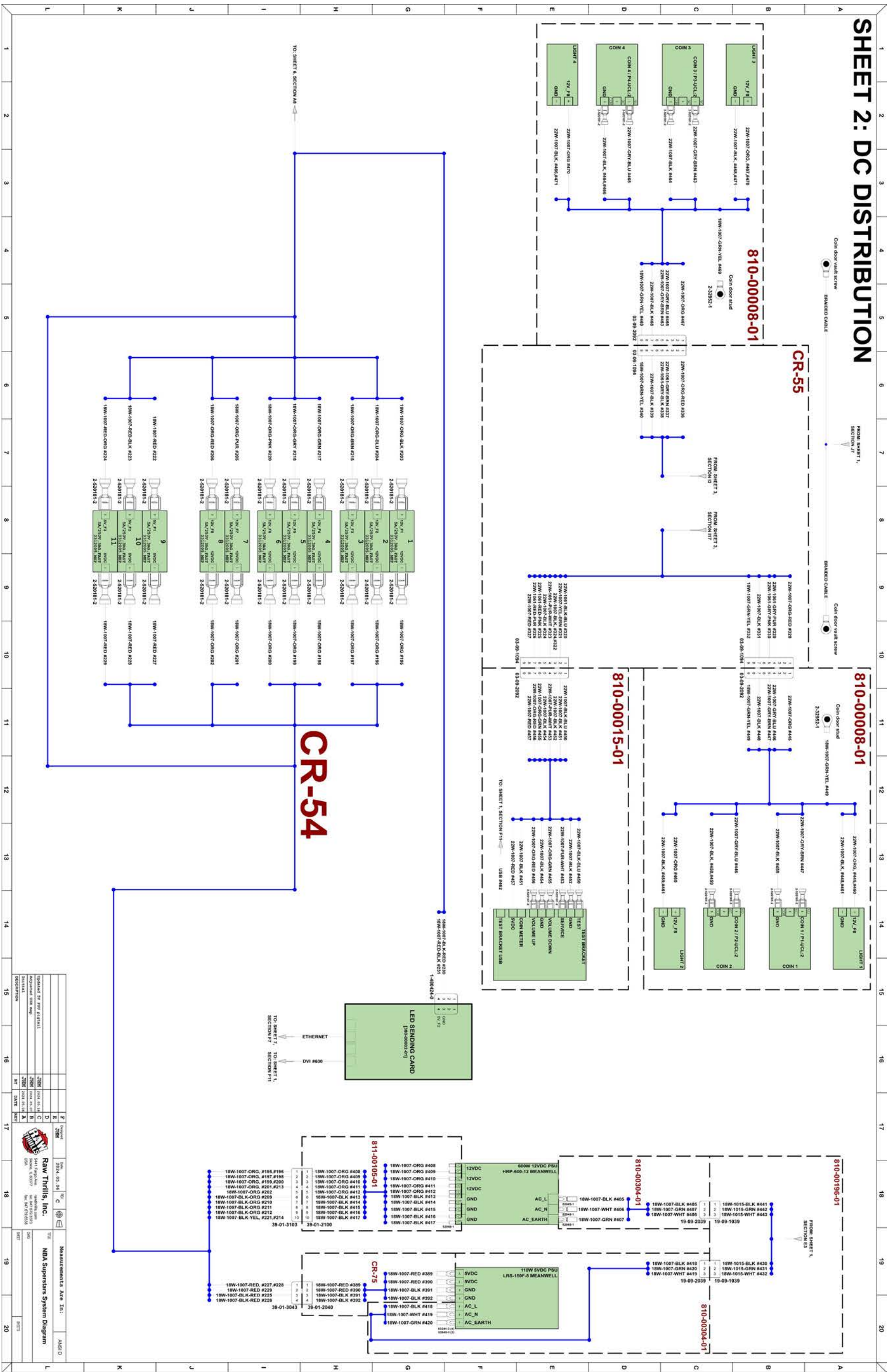
fax (201) 438-4837

### System Diagrams

---



# SHEET 2: DC DISTRIBUTION



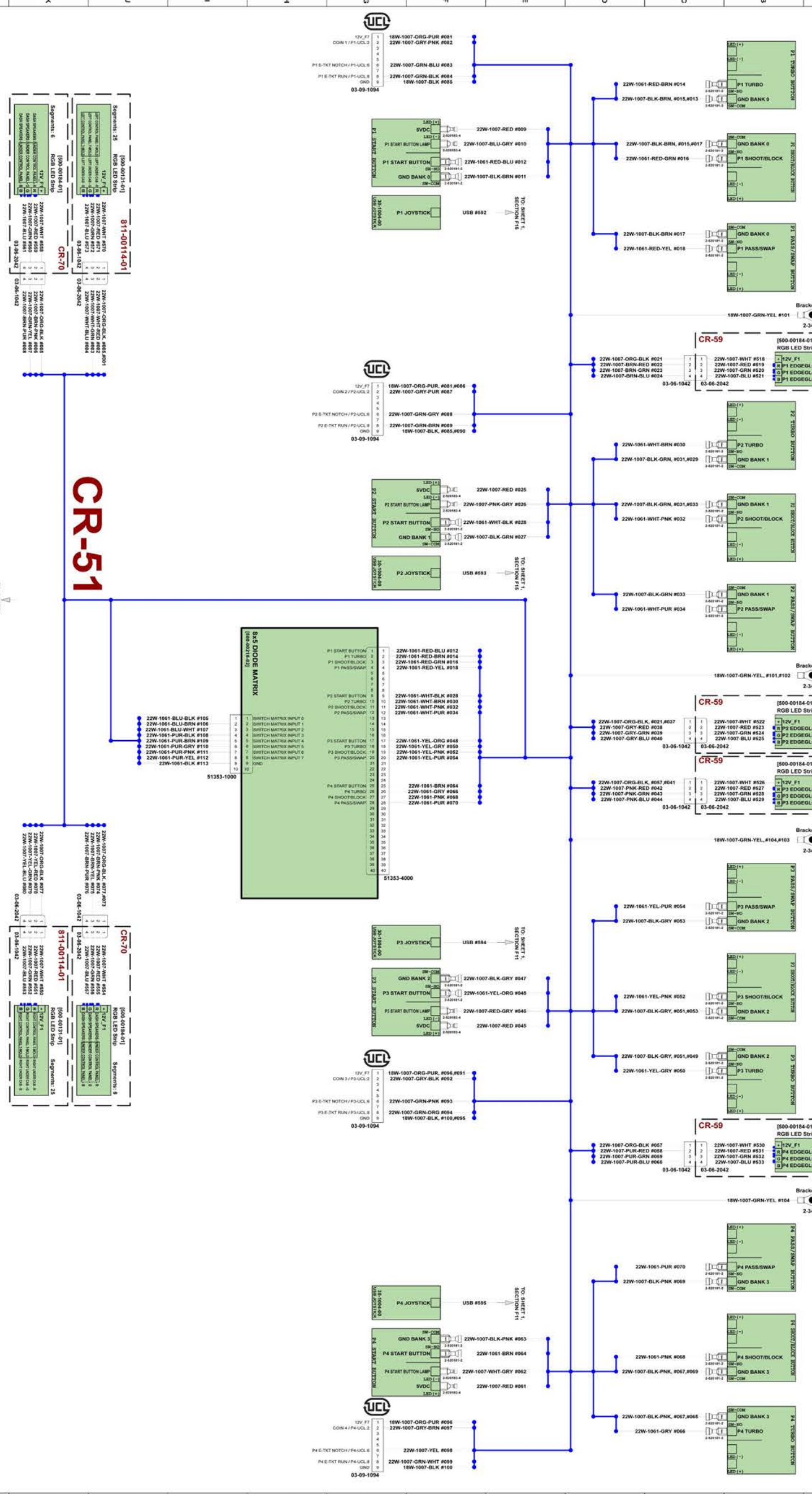
DATE	2014-09-24	BY	CHM
DESIGNED BY	CHM	CHECKED BY	CHM
APPROVED BY	CHM	DATE	2014-09-24
PROJECT	NBA Superswires System Diagram		
REVISION	NO.	DESCRIPTION	DATE
	1	ISSUE FOR CONSTRUCTION	2014-09-24
	2	REVISED TO ADD LED SENDING CARO	2014-09-24
	3	REVISED TO ADD TEST BACKPACK	2014-09-24
	4	REVISED TO ADD COIN 1-4	2014-09-24
	5	REVISED TO ADD LIGHT 1-4	2014-09-24
	6	REVISED TO ADD TEST BACKPACK	2014-09-24
	7	REVISED TO ADD LED SENDING CARO	2014-09-24
	8	REVISED TO ADD COIN 1-4	2014-09-24
	9	REVISED TO ADD LIGHT 1-4	2014-09-24
	10	REVISED TO ADD TEST BACKPACK	2014-09-24
	11	REVISED TO ADD LED SENDING CARO	2014-09-24
	12	REVISED TO ADD COIN 1-4	2014-09-24
	13	REVISED TO ADD LIGHT 1-4	2014-09-24
	14	REVISED TO ADD TEST BACKPACK	2014-09-24
	15	REVISED TO ADD LED SENDING CARO	2014-09-24
	16	REVISED TO ADD COIN 1-4	2014-09-24
	17	REVISED TO ADD LIGHT 1-4	2014-09-24
	18	REVISED TO ADD TEST BACKPACK	2014-09-24
	19	REVISED TO ADD LED SENDING CARO	2014-09-24
	20	REVISED TO ADD COIN 1-4	2014-09-24
	21	REVISED TO ADD LIGHT 1-4	2014-09-24
	22	REVISED TO ADD TEST BACKPACK	2014-09-24
	23	REVISED TO ADD LED SENDING CARO	2014-09-24
	24	REVISED TO ADD COIN 1-4	2014-09-24
	25	REVISED TO ADD LIGHT 1-4	2014-09-24
	26	REVISED TO ADD TEST BACKPACK	2014-09-24
	27	REVISED TO ADD LED SENDING CARO	2014-09-24
	28	REVISED TO ADD COIN 1-4	2014-09-24
	29	REVISED TO ADD LIGHT 1-4	2014-09-24
	30	REVISED TO ADD TEST BACKPACK	2014-09-24







# SHEET 4: CONTROL PANEL



REV	DATE	BY	CHKD	DESCRIPTION
1	2024.09.04	AV	AV	ASND D

Company	Raw Thrills, Inc.
Address	14411 Regatta
City	Las Vegas, NV 89131
Phone	702.734.8000
Fax	702.734.8007
Website	www.rawthrills.com

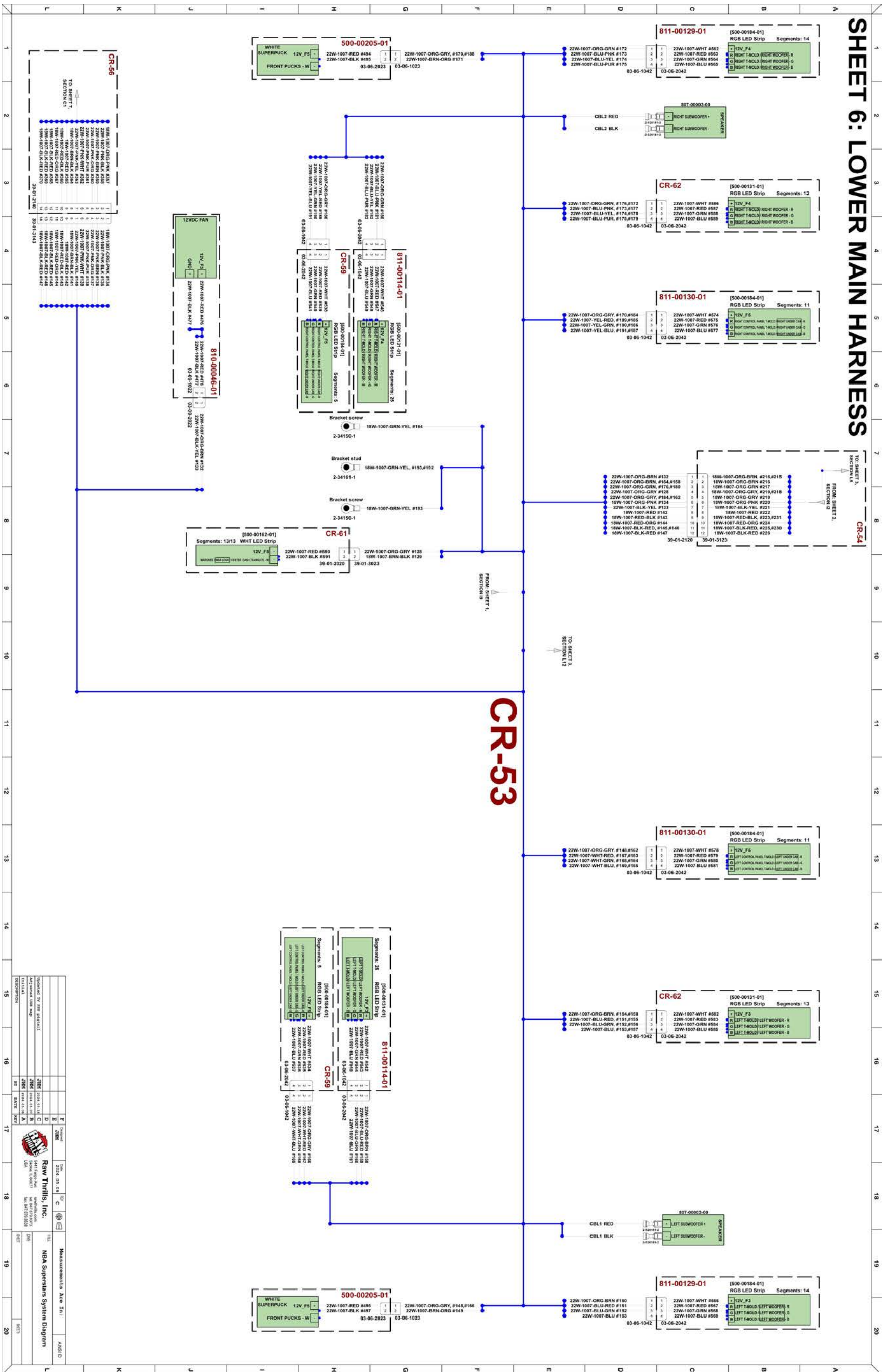
  

Project	NBA Supersports System Diagram
Sheet	ASND D



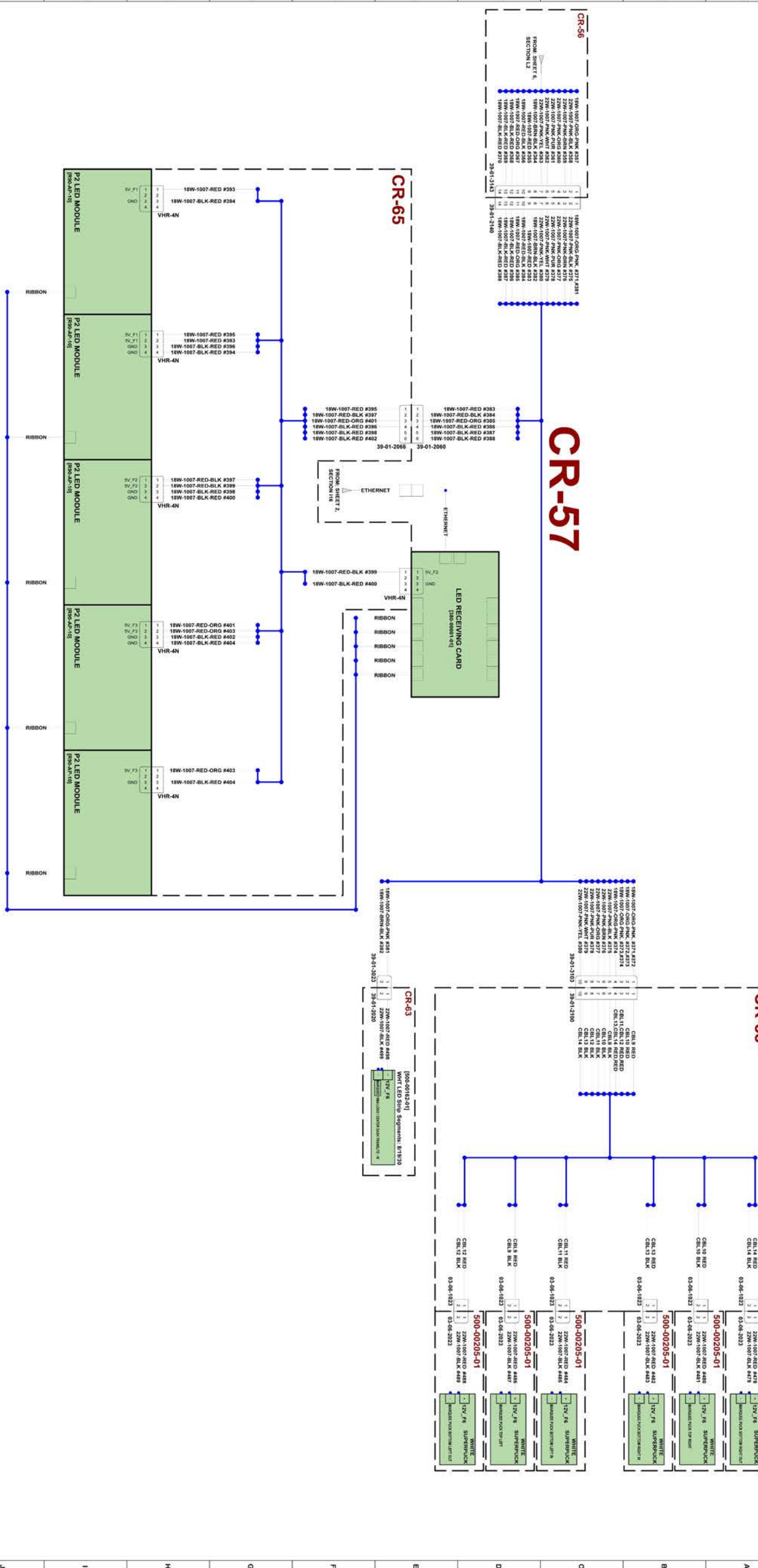


**SHEET 6: LOWER MAIN HARNESS**



Part No.	QTY	DATE	REV
500-00184-01	1	03-06-2012	1
500-00131-01	1	03-06-2012	1
500-00192-01	1	03-06-2012	1
897-00093-00	1	03-06-2012	1
22W-1007-ORG-GRN #176, #188	1	03-06-2012	1
22W-1007-GRN-GRY #170, #184	1	03-06-2012	1
22W-1007-BLU-PNK #173, #177	1	03-06-2012	1
22W-1007-BLU-PUR #174, #178	1	03-06-2012	1
22W-1007-BLU #175	1	03-06-2012	1
22W-1007-WHT #562	1	03-06-2012	1
22W-1007-RED #563	1	03-06-2012	1
22W-1007-GRN #564	1	03-06-2012	1
22W-1007-BLU #565	1	03-06-2012	1
18W-1007-GRN-BRN #216, #215	1	03-01-2120	1
18W-1007-ORG-BRN #216, #215	1	03-01-2120	1
18W-1007-ORG-GRN #217, #218	1	03-01-2120	1
18W-1007-ORG-GRY #219, #220	1	03-01-2120	1
18W-1007-ORG-PNK #220, #221	1	03-01-2120	1
18W-1007-BLK-YEL #221, #222	1	03-01-2120	1
18W-1007-RED #222, #223	1	03-01-2120	1
18W-1007-RED-BLK #223, #224	1	03-01-2120	1
18W-1007-RED-ORG #224, #225	1	03-01-2120	1
18W-1007-BLK-RED #225, #226	1	03-01-2120	1
18W-1007-BLK-RED #226	1	03-01-2120	1

# SHEET 7: MARQUEE + LED MODULE DISPLAY



REV	DATE	BY	CHKD	DESCRIPTION
1	2014.03.04	JMR	JMR	Initial Design
2	2014.03.04	JMR	JMR	Final Design

Author	JMR
Checked	JMR
Drawn	JMR
Scale	1:1
Sheet No.	17
Total Sheets	17

Company	Raw Thrills, Inc.
Address	14000 E. 15th Ave., Suite 100, Aurora, CO 80012
Phone	303.733.1100
Fax	303.733.1101
Website	www.rawthrills.com

Project	NBA Superstars System Diagram
Sheet No.	17
Total Sheets	17